

Mounted Spherical Roller Bearings

Modular bearing assembly consisting of sealed and lubricated inch spherical bearing with collar (setscrew) or concentric (adapter mount) locking system contained within a variety of housings types, mounting styles, and housing materials. Mounted spherical roller bearings provide an antifriction solution when supporting rotating shafts with combination radial and thrust loads.

Housing Styles

Pillow Block, Flanges, Take Up Assemblies

Locking Styles

Collar (Setscrew) Or Concentric (Adapter Mount)

Bore Size Range

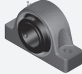
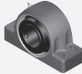
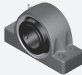






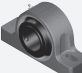






1 1/8" To 8"

Housing Materials

Cast & Ductile Iron



Mounted Roller Bearing Selection Guide

		Series	Housing style
Sealmaster USRB		USRB5000	Two Bolt Pillow Block
		USRBF5000	Four Bolt Pillow Block
		USRB5000	Four Bolt Pillow Block (No F prefix for 4 7/16" - 4 15/16")
		USRB5500	Two Bolt Pillow Block (SAF mounting dimensions)
		USRBF5500	Four Bolt Pillow Block (SAF mounting dimensions) (F prefix for 2 7/16" - 3 7/16")
		USRB5500	Four Bolt Pillow Block (SAF mounting dimensions) (F prefix for 3 15/16" - 8")
		USFB5000	Four Bolt Flange
		USFC5000	Piloted Flange Cartridge
		USBF5000	Flange Bracket
		USRBE5000	Two Bolt Pillow Block (Type E mounting dimensions)
		USFBE5000	Flange Block (Type E mounting dimensions)
		USFCE5000	Piloted Flange Cartridge (Type E mounting dimensions)
		USTU5000	Wide Slot Take Up
		USTA5000	Top Angle Take Up
		USF3B5000	Three Bolt Flange
	USI5000	Insert	

Unitized Spherical Roller Bearings (USRB)



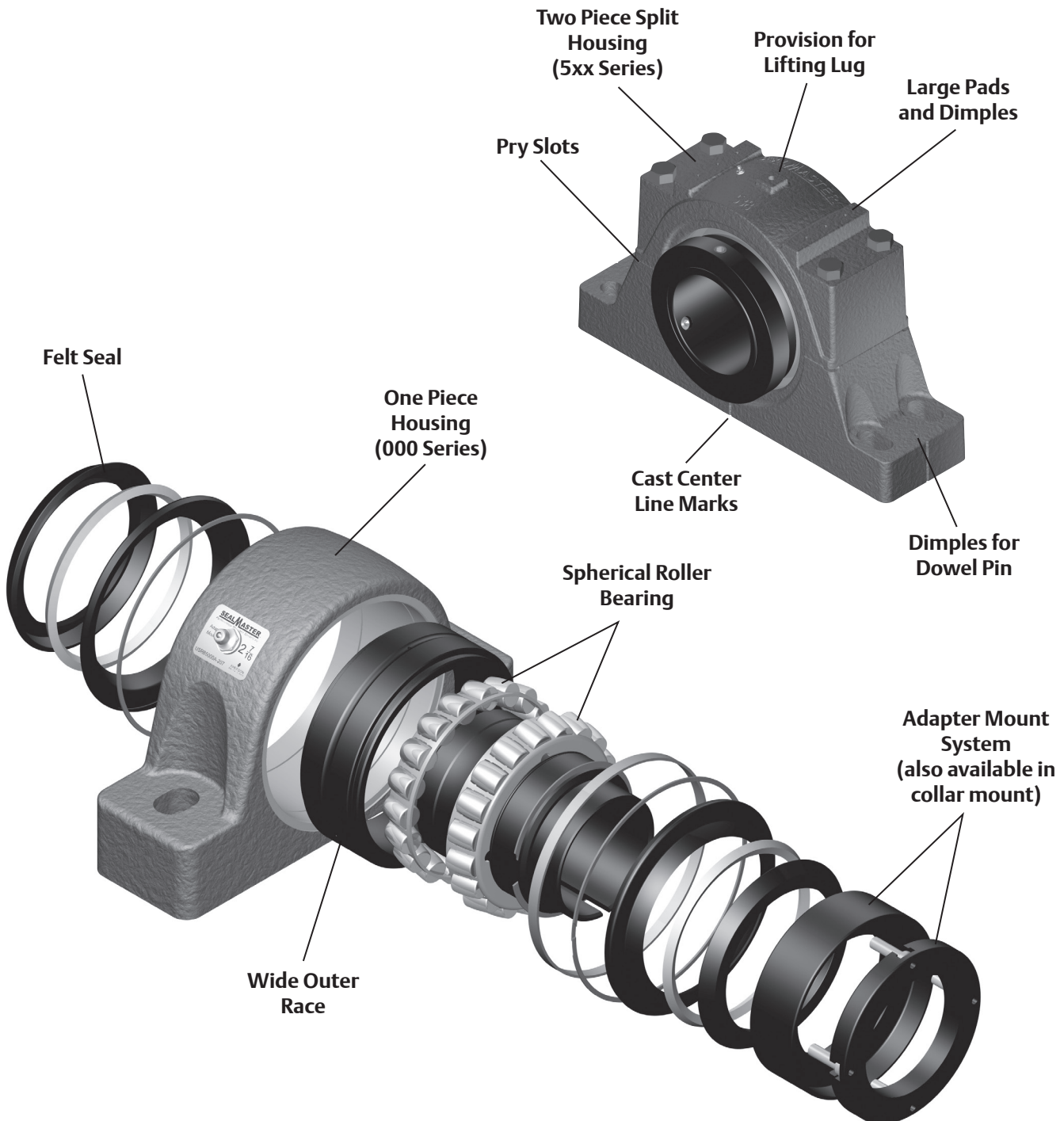
Mtd. Spherical Bearings



Lock Type			Size Range			
Collar Mount	Adapter Mount	Housing Material	Seal	Standard Seal Options	Inch	Page
USRB5000	USRB5000A	Cast Iron	Felt	Contact	1 1/8" - 4"	H-9 to H-10
USRBF5000	USRBF5000A	Cast Iron			2 7/16" - 4"	H-11 to H-12
USRB5000	USRB5000A	Cast Iron			4 7/16" - 4 15/16"	H-11 to H-12
USRB5500	USRB5500A	Cast Iron			1 7/16" - 3 7/16"	H-13 to H-14
USRBF5500	USRBF5500A	Cast Iron			2 7/16" - 3 7/16"	H-13 to H-14
USRB5500	USRB5500A	Cast Iron			3 15/16" - 8"	H-13 to H-14
USFB5000	USFB5000A	Cast Iron			1 3/8" - 4"	H-15 to H-16
USFC5000	USFC5000A	Cast Iron			1 3/8" - 4"	H-17 to H-18
USBF5000	USBF5000A	Ductile Iron			1 7/16" - 2 7/16"	H-19 to H-20
USRBE5000	USRBE5000A	Ductile Iron			1 15/16" - 4"	H-21 to H-22
USFBE5000	USFBE5000A	Ductile Iron			1 15/16" - 4"	H-23 to H-24
USFCE5000	USFCE5000A	Ductile Iron			1 15/16" - 4"	H-25 to H-26
USTU5000	USTU5000A	Cast Iron			1 15/16" - 4"	H-27 to H-28
USTA5000	USTA5000A	Cast Iron			1 15/16" - 3 15/16"	H-29
USF3B5000	-	Cast Iron			1 1/8" - 1 1/2"	H-30
USI5000	USI5000A	N/A			1 1/8" - 8"	H-31 to H-32

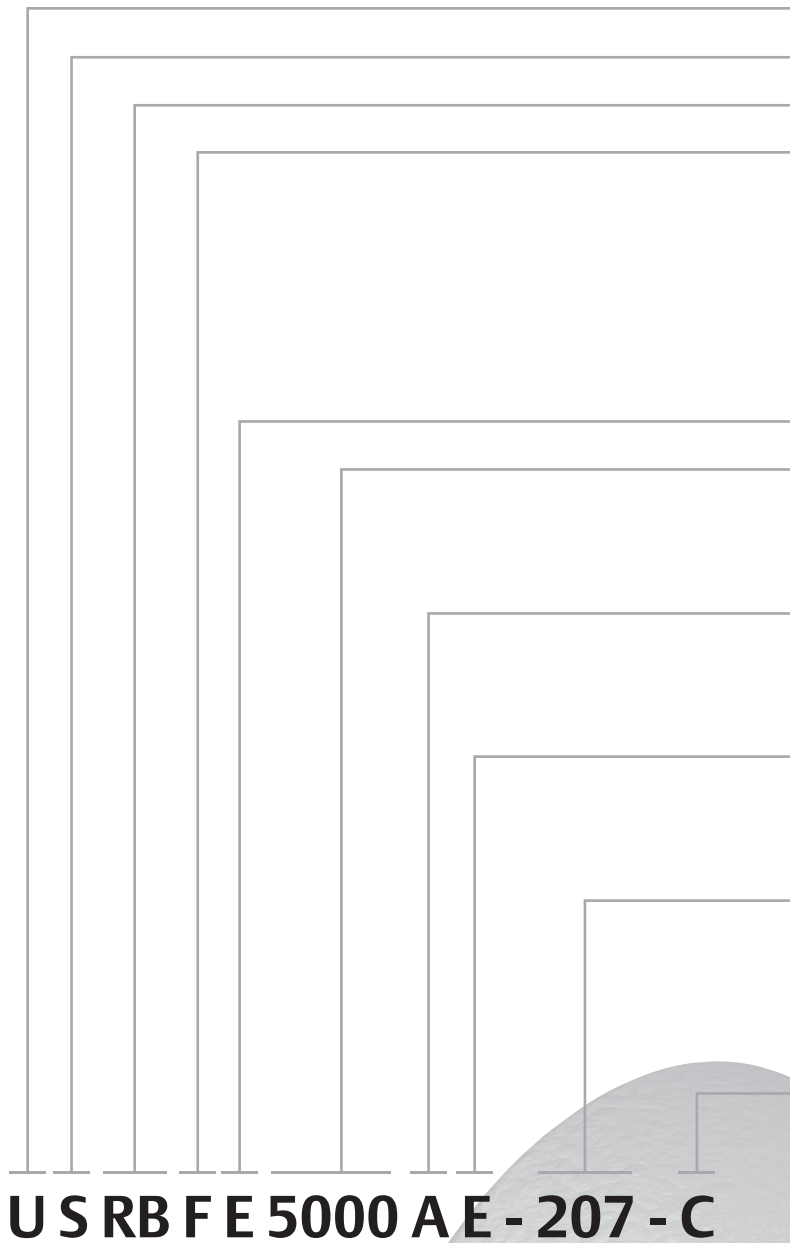
Sealmaster USRB Performance Mounted Spherical Roller Bearing

Sealmaster USRB performance mounted spherical roller bearings feature black oxide treated bearing steel races with optimized bearing geometry for load capacity, misalignment and speed capabilities. The USRB is available in both setscrew locking and adapter mounting system. The felt seal with flinger provides a good balance between contaminant entry, grease retention and friction. Depending on application requirements, these bearings are available in a wide variety of bore sizes, housing styles, and sealing options as illustrated on the pages to follow.



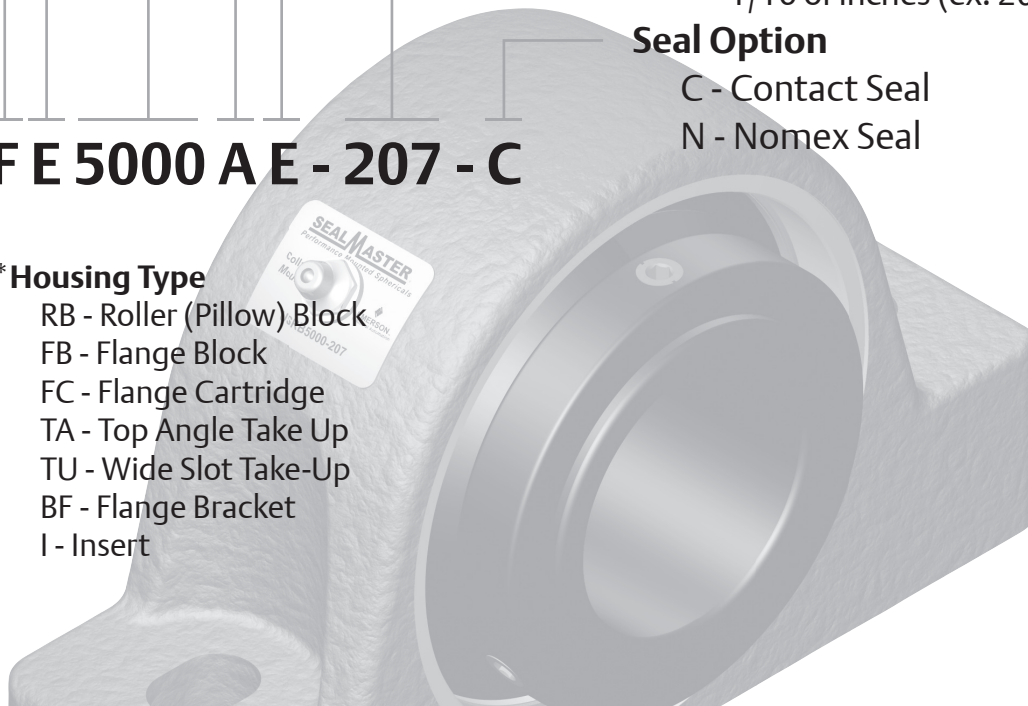


Spherical Roller Bearing Nomenclature



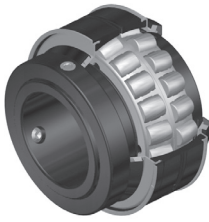
- Unitized Spherical Housing Type** (* see below)
- Bolts**
 - F - Four Bolt Base - 2 7/16" to 4"
Where Two Bolt & Four Bolt Options Exist
 - No Prefix - Standard Option
 - Two Bolt Only - 1 1/8" to 2 3/16"
 - Four Bolt Only - 4 7/16" - 8"
- Type E Mounting Dimensions Series**
 - 000 - Standard Series
 - 5xx - SAF Mounting Dimensions
- Locking Option**
 - A - Adapter Mount
 - No Suffix - Collar Mount (setscrew)
- Expansion Option**
 - E - Expansion
 - No Suffix - Non Expansion
- Bore Size (Inch)**
 - First Digit - Number of Inches
 - Second & Third Digit - Number of 1/16 of inches (ex. 207 = 2 7/16")
- Seal Option**
 - C - Contact Seal
 - N - Nomex Seal

- * Housing Type**
- RB - Roller (Pillow) Block
 - FB - Flange Block
 - FC - Flange Cartridge
 - TA - Top Angle Take Up
 - TU - Wide Slot Take-Up
 - BF - Flange Bracket
 - I - Insert



Features and Benefits

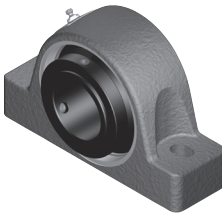
Mtd. Spherical Bearings



Double Row Spherical Roller Bearing

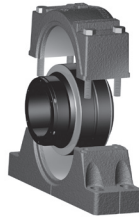
New geometries developed and manufactured by Sealmaster result in an innovative double-row spherical roller bearing with optimal load capacity, misalignment and speed capability.

Multiple Housing Configurations



One Piece Cast Iron and Ductile Iron Housings

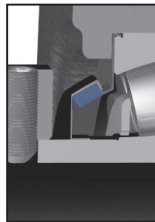
Durable one piece cast iron (USRB5000 series) and ductile iron (USRBE5000 series) housings provide load support. Two and four bolt pillow block housings have elongated bolt holes for interchangeability with competitive units.



Split Housings

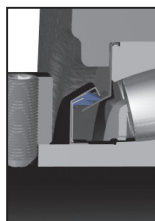
Durable split housings (USRB5500 series) designed to the industry standard SAF footprint and replaceable cartridge inserts from 1 3/8" - 8" are shaft ready for easy installation.

Multiple Sealing Options



Felt Seal

The Sealmaster felt seal with flinger, mounted between races, can accommodate $\pm 2^\circ$ of misalignment. The outer member rotates with the inner race to help direct contamination away from the seal. Due to the unique spherical geometric design of the seal contact areas, sealing effectiveness is maintained throughout the entire specified range of misalignment. This design provides a tight labyrinth seal, which acts as a filter to help exclude foreign material and has low friction.



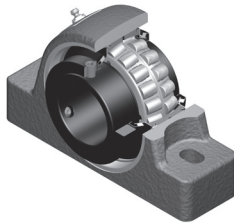
Contact Seal

The Sealmaster double-lip contact seal, mounted between races, also can accommodate $\pm 2^\circ$ of misalignment. The outer member rotates with the inner race, to help direct contamination away from the seal. Due to the unique spherical geometric design of the seal contact areas, sealing effectiveness is maintained throughout the entire specified range of misalignment. The rotating double-lip seal design allows for exceptional limiting speed.



Features and Benefits

Multiple Locking Methods



Collar Mount System

Sealmaster performance mounted roller bearings feature locking collars and setscrews at 120°, providing a balanced three-point contact.



Adapter Mount System

The Sealmaster performance mounted roller bearings grip the shaft with an advanced adapter mount system, for fast installation and removal. The advanced integral locking system incorporates axial cap screws that allow mount and dismount of the bearing from one side. The result: this highly engineered locking system requires less installation torque. Sealmaster adapter mount spherical roller bearings are also shaft ready and require only a hex key and torque wrench to install; no special tools or feeler gauges are required.



Learn more with your phone...Snap the QR code with your mobile phone, and watch a video demonstrating the ease of installation and removal of the Sealmaster Unitized Spherical Bearing. New-model phones come with QR readers. If yours doesn't, go to the app store and search QR Reader.



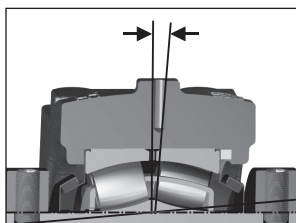
Replaceable Cartridge Insert

The Sealmaster performance mounted roller bearings have a replaceable cartridge insert that consists of a double-row spherical roller bearing with race-mounted seals. These integrally sealed, one-piece cartridge inserts can also be used for mounting in cylindrical-bore housings for an even wider range of applications.



Wide Outer Race

The wide outer race, coupled with innovative rolling-element geometries, provides increased load capacity. The wide outer race also allows for race mounted seals and creates a large internal grease chamber, for more grease capacity.

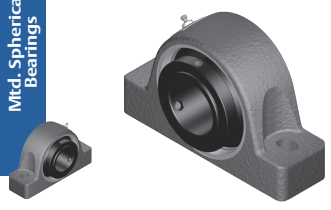


Misalignment

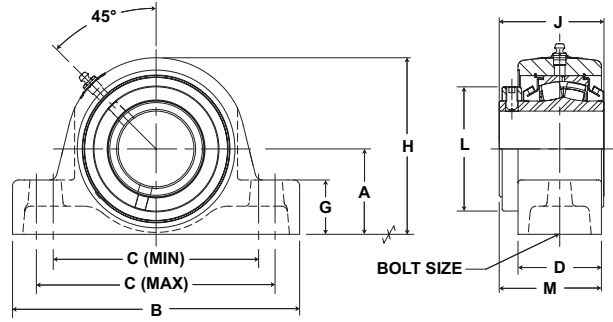
The arrangement of rolling elements and races in Sealmaster Mounted Spherical Roller Bearings can accommodate +/-2 degrees of misalignment – up to twice an SAF – while maintaining catalog load ratings and sealing effectiveness. The spherical bearing design can accommodate both static and dynamic misalignment which may exist due to structure mounting irregularities, shaft deflection, or other application conditions.

SEALMASTER® Performance Mounted Spherical Roller Bearings

Mtd. Spherical Bearings



- Rolling Elements:** Spherical Roller
- Housing:** Cast Iron Two Bolt Pillow Block
- Self Alignment:** +/- 2 Degrees
- Lock:** Setscrew
- Seal:** Felt
- Optional Seal:** Double Lip Contact
- Temperature:** -20° to 220° F



USRB5000 Series Two-Bolt Base Pillow Blocks - Collar Mount

Bore Diameter inch	Part No.	Basic Dynamic Rating lb/N	Dimensions inch / mm											Unit Wt. lb/kg
			A	B	C		D	G	H	J	L	M*	Bolt Size	
					Min.	Max.								
1 1/8	USRB5000-102	20368	1 3/4	6 5/16	4 1/2	5	2 3/16	1 1/16	3 3/4	2 3/4	2 49/64	2 3/4	3/8	6.9
1 3/16	USRB5000-103	90597	44.5	160.3	114.3	127.0	55.6	27.0	95.3	69.9	70.2	69.9	3/8	3.14
1 1/4	USRB5000-104													
1 7/16	USRB5000-107	20368	1 7/8	6 7/8	4 11/16	5 5/16	2 3/16	1 3/16	3 7/8	2 3/4	2 49/64	2 3/4	1/2	6.6
1 1/2	USRB5000-108	90597	47.6	174.6	119.1	134.9	55.6	30.2	98.4	69.9	70.2	69.9	1/2	3.00
1 11/16	USRB5000-111	22689	2 1/8	7 3/8	5 3/16	5 13/16	2 3/16	1 5/16	4 1/4	2 7/8	2 3/4	2 13/16	1/2	7.8
1 3/4	USRB5000-112	100921	54.0	187.3	131.8	147.6	55.6	33.3	108.0	73.0	69.9	71.4	1/2	3.55
1 15/16	USRB5000-115	23520	2 1/4	8 3/8	5 15/16	6 9/16	2 3/16	1 3/8	4 9/16	2 7/8	3	2 25/32	5/8	7.7
2	USRB5000-200	104617	57.2	212.7	150.8	166.7	55.6	34.9	115.9	73.0	76.2	70.6	5/8	5.23
2 3/16	USRB5000-203	28087	2 1/2	8 7/8	6 9/16	7 1/16	2 7/16	1 5/8	5	3 1/8	3 1/4	3 1/8	5/8	11.5
		124931	63.5	225.4	166.7	179.4	61.9	41.3	127.0	79.4	82.6	79.4	5/8	5.23
2 7/16	USRB5000-207	44691	2 3/4	9 1/4	6 13/16	7 7/16	2 11/16	1 3/4	5 11/16	3 3/8	4	3 9/32	5/8	16.0
2 1/2	USRB5000-208	198786	69.9	235.0	173.0	188.9	68.3	44.5	144.5	85.7	101.6	83.3	5/8	7.27
2 11/16	USRB5000-211													
2 3/4	USRB5000-212	47447	3 1/4	10 7/16	7 13/16	8 7/16	2 13/16	2 1/4	6 7/16	3 7/8	4 17/32	3 3/4	3/4	23.7
2 15/16	USRB5000-215	211044	82.6	265.1	198.4	214.3	71.4	57.2	163.5	98.4	115.1	95.3	3/4	10.77
3	USRB5000-300													
3 3/16	USRB5000-303	72640	3 3/4	13	9 1/4	10 3/4	3 3/16	2 1/4	7 1/2	4 15/32	5 5/16	4 1/4	7/8	37.1
3 7/16	USRB5000-307	323103	95.3	330.2	235.0	273.1	81.0	57.2	190.5	113.5	134.9	108.0	7/8	81.62
3 1/2	USRB5000-308													
3 11/16	USRB5000-311	96050	4 1/8	14 1/4	10	11 3/4	3 9/16	2 1/2	8 7/16	4 15/16	6	4 23/32	1	49.9
3 15/16	USRB5000-315	427230	104.8	362.0	254.0	298.5	90.5	63.5	214.3	125.4	152.4	119.9	1	22.68
4	USRB5000-400													

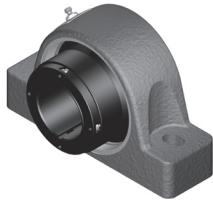
*For expansion bearings, this dimension can increase by the corresponding value in table VIII on page I-69.

Metric dimensions for reference only.

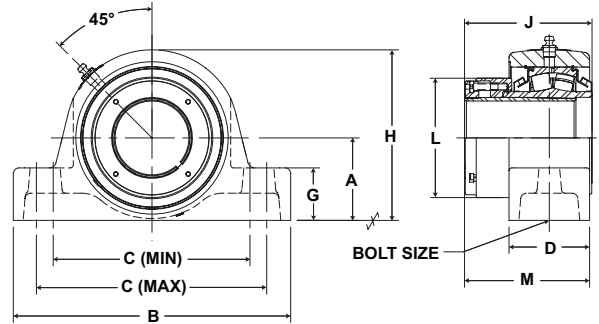
Not all parts are available from stock. Please contact customer service for availability (800) 626-2120.

For more information on bearing capabilities outside of our standard offering, please contact Application Engineering (800) 626-2093.

Performance Mounted Spherical Roller Bearings **SEALMASTER**®



- Rolling Elements:** Spherical Roller
- Housing:** Cast Iron Two Bolt Pillow Block
- Self Alignment:** +/- 2 Degrees
- Lock:** Adapter
- Seal:** Felt
- Optional Seal:** Double Lip Contact
- Temperature:** -20° to 220° F



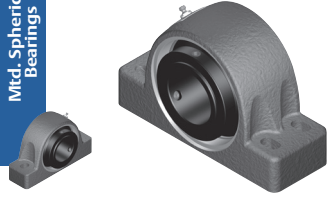
USRB5000A Series Two-Bolt Base Pillow Blocks - Adapter Mount

Bore Diameter inch	Part No.	Basic Dynamic Rating lb/N	Dimensions inch / mm										Unit Wt. lb/kg	
			A	B	C		D	G	H	J	L	M *		Bolt Size
					Min.	Max.								
1 1/8	USRB5000A-102	20368	1 3/4	6 5/16	4 1/2	5	2 3/16	1 1/16	3 3/4	3 11/32	2 47/64	3 11/32	3/8	6.9
1 3/16	USRB5000A-103	90597	44.5	160.3	114.3	127.0	55.6	27.0	95.3	84.9	69.5	84.9		3.12
1 1/4	USRB5000A-104													
1 7/16	USRB5000A-107	20368	1 7/8	6 7/8	4 11/16	5 5/16	2 3/16	1 3/16	3 7/8	3 11/32	2 47/64	3 11/32	1/2	6.9
1 1/2	USRB5000A-108	90597	47.6	174.6	119.1	134.9	55.6	30.2	98.4	84.9	69.5	84.9		3.12
1 11/16	USRB5000A-111	22689	2 1/8	7 3/8	5 3/16	5 13/16	2 3/16	1 5/16	4 1/4	3 29/64	2 31/32	3 3/8	1/2	8.3
1 3/4	USRB5000A-112	100921	54.0	187.3	131.8	147.6	55.6	33.3	108.0	87.7	75.4	85.7		3.77
1 15/16	USRB5000A-115	23520	2 1/4	8 3/8	5 15/16	6 9/16	2 3/16	1 3/8	4 9/16	3 1/2	3 11/64	3 13/32	5/8	10.1
2	USRB5000A-200	104617	57.2	212.7	150.8	166.7	55.6	34.9	115.9	88.9	80.6	86.5		4.58
2 3/16	USRB5000A-203	28087	2 1/2	8 7/8	6 9/16	7 1/16	2 7/16	1 5/8	5	3 7/8	3 7/16	3 27/32	5/8	12.2
		124931	63.5	225.4	166.7	179.4	61.9	41.3	127.0	98.4	87.3	97.6		5.53
2 7/16	USRB5000A-207	44691	2 3/4	9 1/4	6 13/16	7 7/16	2 11/16	1 3/4	5 11/16	4 5/16	3 63/64	4 7/32	5/8	17.3
2 1/2	USRB5000A-208	198786	69.9	235.0	173.0	188.9	68.3	44.5	144.5	109.5	101.2	107.2		7.86
2 11/16	USRB5000A-211												3/4	
2 3/4	USRB5000A-212	47447	3 1/4	10 7/16	7 13/16	8 7/16	2 13/16	2 1/4	6 7/16	4 31/64	4 25/64	4 3/8		23.8
2 15/16	USRB5000A-215	211044	82.6	265.1	198.4	214.3	71.4	57.2	163.5	113.9	111.5	111.1		10.82
3	USRB5000A-300													
3 3/16	USRB5000A-303	72640	3 3/4	13	9 1/4	10 3/4	3 3/16	2 1/4	7 1/2	5 35/64	5 15/32	5 21/64	7/8	39.1
3 7/16	USRB5000A-307	323103	95.3	330.2	235.0	273.1	81.0	57.2	190.5	140.9	138.9	135.3		17.76
3 1/2	USRB5000A-308													
3 11/16	USRB5000A-311	96050	4 1/8	14 1/4	10	11 3/4	3 9/16	2 1/2	8 7/16	5 15/16	5 13/16	5 23/32	1	50.6
3 15/16	USRB5000A-315	427230	104.8	362.0	254.0	298.5	90.5	63.5	214.3	150.8	147.6	145.3		23.01
4	USRB5000A-400													

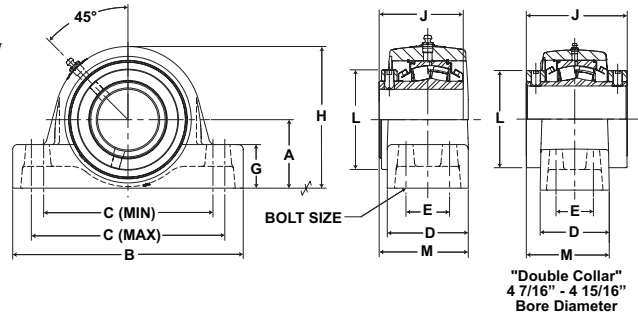
*For expansion bearings, this dimension can increase by the corresponding value in table VIII on page I-69. One expansion unit is to be used in conjunction with one non-expansion unit for applications using an adapter lock unit. Failure to utilize one expansion and one non-expansion unit is likely to result in reduced bearing performance.

SEALMASTER® Performance Mounted Spherical Roller Bearings

Mtd. Spherical Bearings



- Rolling Elements:** Spherical Roller
- Housing:** Cast Iron Four Bolt Pillow Block
- Self Alignment:** +/- 2 Degrees
- Lock:** Setscrew
- Seal:** Felt
- Optional Seal:** Double Lip Contact
- Temperature:** -20° to 220° F



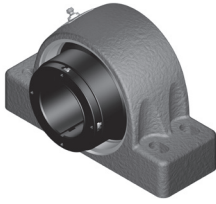
USRBF5000 Series Four-Bolt Base Pillow Blocks - Collar Mount

Bore Diameter inch	Part No.	Basic Dynamic Rating lb/N	Dimensions inch / mm											Unit Wt. lb/kg	
			A	B	C		D	E	G	H	J	L	M *		Bolt Size
					Min.	Max.									
2 7/16	USRBF5000-207	44691	2 3/4	9 1/4	6 7/8	7 5/8	3 1/4	1 3/4	1 3/4	5 11/16	3 3/8	4	3 11/16	1/2	17.6
2 1/2	USRBF5000-208	198786	69.9	235.0	174.6	193.7	82.6	44.5	44.5	144.5	85.7	101.6	93.7		8.00
2 11/16	USRBF5000-211	47447 211044	3 1/4	10 7/16	7 7/8	8 3/8	3 3/4	1 7/8	2 1/4	6 7/16	3 7/8	4 17/32	4 19/64	5/8	26.4
2 3/4	USRBF5000-212														
2 15/16	USRBF5000-215														
3	USRBF5000-300	211044	82.6	265.1	200.0	212.7	95.3	47.6	57.2	163.5	98.4	115.1	109.1	11.98	
3 3/16	USRBF5000-303	72640 323103	3 3/4	13	9 1/4	10 3/4	3 7/8	2	2 1/4	7 1/2	4 15/32	5 5/16	4 19/32	3/4	39.0
3 7/16	USRBF5000-307														
3 1/2	USRBF5000-308														
3 11/16	USRBF5000-311	96050 427230	4 1/4	15 1/4	11	13	4 1/2	2 1/4	2 5/8	8 9/16	4 15/16	6	5 7/32	3/4	57.5
3 15/16	USRBF5000-315														
4	USRBF5000-400														
4 7/16	USRBF5000-407	111537 496117	4 3/4	16 1/16	13	14	4 5/8	2 1/2	2 3/4	9 3/8	6 3/4	6 1/2	5 1/2	3/4	74.1
4 1/2	USRBF5000-408														
4 15/16	USRBF5000-415	158816 706414	5 1/2	18 1/2	15	16	5 1/8	2 3/4	3	10 7/8	7 27/64	7 1/2	6 3/32	3/4	112.6 51.18

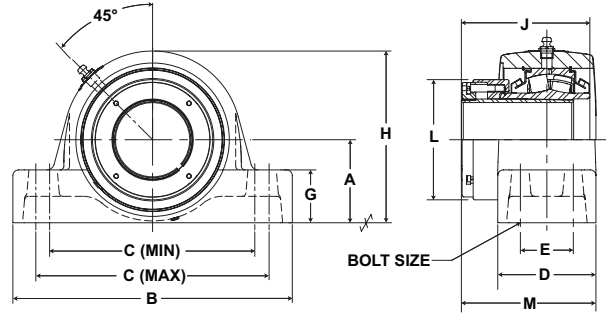
*For expansion bearings, this dimension can increase by the corresponding value in table VIII on page I-69.
 Note: Bore diameters up to 4" available in single lock collar. Bore diameters 4 7/16" and up available in double lock collar.

Metric dimensions for reference only.
 Not all parts are available from stock. Please contact customer service for availability (800) 626-2120.
 For more information on bearing capabilities outside of our standard offering, please contact Application Engineering (800) 626-2093.

Performance Mounted Spherical Roller Bearings **SEALMASTER**[®]



- Rolling Elements:** Spherical Roller
- Housing:** Cast Iron Four Bolt Pillow Block
- Self Alignment:** +/- 2 Degrees
- Lock:** Adapter
- Seal:** Felt
- Optional Seal:** Double Lip Contact
- Temperature:** -20° to 220° F



USRBF5000A Series Four-Bolt Base Pillow Blocks - Adapter Mount

Bore Diameter inch	Part No.	Basic Dynamic Rating lb/N	Dimensions inch / mm											Unit Wt. lb/kg		
			A	B	C		D	E	G	H	J	L	M *		Bolt Size	
					Min.	Max.										
2 7/16	USRBF5000A-207	44691	2 3/4	9 1/4	6 7/8	7 5/8	3 1/4	1 3/4	1 3/4	5 11/16	4 5/16	3 63/64	4 39/64	1/2	18.5	
2 1/2	USRBF5000A-208	198786	69.9	235.0	174.6	193.7	82.6	44.5	44.5	144.5	109.5	101.2	117.1		8.42	
2 11/16	USRBF5000A-211	47447	3 1/4	10 7/16	7 7/8	8 3/8	3 3/4	1 7/8	2 1/4	6 7/16	4 31/64	4 25/64	4 29/32	5/8	26.4	
2 3/4	USRBF5000A-212															211044
2 15/16	USRBF5000A-215															211044
3	USRBF5000A-300	211044	82.6	265.1	200.0	212.7	95.3	47.6	57.2	163.5	113.9	111.5	124.6	12.02		
3 3/16	USRBF5000A-303	72640	3 3/4	13	9 1/4	10 3/4	3 7/8	2	2 1/4	7 1/2	5 35/64	5 15/32	5 11/16	3/4	41.0	
3 7/16	USRBF5000A-307															323103
3 1/2	USRBF5000A-308															323103
3 11/16	USRBF5000A-311	96050	4 1/4	15 1/4	11	13	4 1/2	2 1/4	2 5/8	8 9/16	5 15/16	5 13/16	6 13/64	3/4	58.2	
3 15/16	USRBF5000A-315															427230
4	USRBF5000A-400															427230
4 7/16	USRBF5000A-407	111537	4 3/4	16 1/16	13	14	4 5/8	2 1/2	2 3/4	9 3/8	6 27/64	6 11/32	6 31/64	3/4	68.2	
4 1/2	USRBF5000A-408	496117	120.7	408.0	330.2	355.6	117.5	63.5	69.9	238.1	163.1	161.1	164.7		31.01	
4 15/16	USRBF5000A-415	158816	5 1/2	18 1/2	15	16	5 1/8	2 3/4	3	10 7/8	7 1/8	7 13/64	7 3/32	7/8	107.8	
5	USRBF5000A-500	706414	139.7	469.9	381.0	406.4	130.2	69.9	76.2	276.2	181.0	183.0	180.2		48.99	

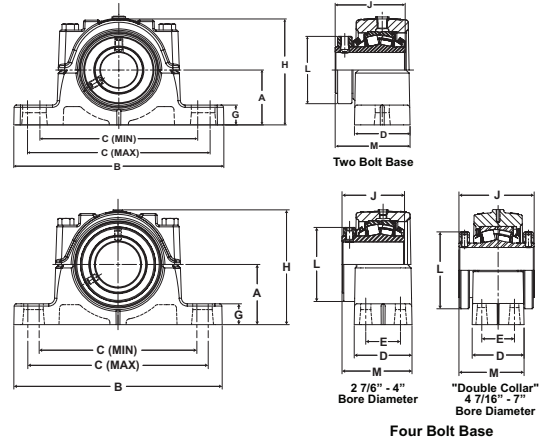
*For expansion bearings, this dimension can increase by the corresponding value in table VIII on page I-69.
 One expansion unit is to be used in conjunction with one non-expansion unit for applications using an adapter lock unit
 Failure to utilize one expansion and one non-expansion unit is likely to result in reduced bearing performance.

SEALMASTER® Performance Mounted Spherical Roller Bearings

Mtd. Spherical Bearings



- Rolling Elements:** Spherical Roller
- Housing:** Cast Iron Two and Four Bolt Pillow Block
- Self Alignment:** +/- 2 Degrees
- Lock:** Setscrew
- Seal:** Felt
- Optional Seal:** Double Lip Contact
- Temperature:** -20° to 220° F

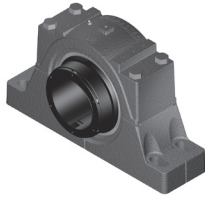


USRB5500 Series Two and Four-Bolt Base Pillow Blocks - Collar Mount, SAF Mounting Dimensions

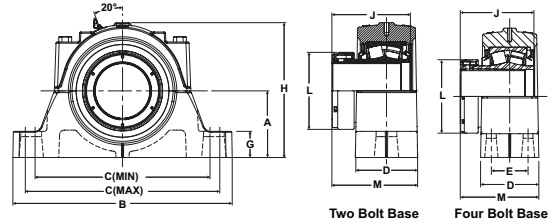
Bore Diameter	Part No.		Basic Dynamic Rating lb/N	Dimensions inch / mm													Unit Wt.	
				A	B	C		D	E	G	H	J	L	M *	Bolt Size		lb/kg	
	inch	2 Bolt				4 Bolt	Min.								Max.	2 Bolt	4 Bolt	2 Bolt
1 7/16	USRB5509-107	-	20368	2 1/4	8 1/4	6 1/4	7	2 3/16	-	13/16	4 3/8	2 3/4	2 49/64	2 61/64	1/2	-	10.2	-
1 1/2	USRB5509-108	-	90597	57.2	209.6	158.8	177.8	55.6	-	20.6	111.1	69.9	70.2	75.0	-	-	4.64	-
1 15/16	USRB5511-115	-	23520	2 3/4	9 5/8	7 3/8	8 1/4	2 3/4	-	15/16	5 1/32	2 7/8	3	3 19/64	5/8	-	13.8	-
2	USRB5511-200	-	104617	69.9	244.5	187.3	209.6	69.9	-	23.8	127.8	73.0	76.2	83.7	-	-	6.27	-
2 7/16	USRB5515-207	USRBF5515-207	44691	3 1/4	11 1/4	8 5/8	9 5/8	3 1/8	1 7/8	1 1/8	6 1/8	3 3/8	4	3 25/32	5/8	1/2	25.2	25.0
2 1/2	USRB5515-208	USRBF5515-208	198786	82.6	285.8	219.1	244.5	79.4	47.6	28.6	155.6	85.7	101.6	96.0	-	-	11.46	11.34
2 15/16	USRB5517-215	USRBF5517-215	47447	3 3/4	13	9 7/8	11	3 1/2	2 1/8	1 1/4	7 1/8	3 7/8	4 17/32	4 13/32	3/4	5/8	38.2	37.8
3	USRB5517-300	USRBF5517-300	211044	95.3	330.2	250.8	279.4	88.9	54.0	31.8	181.0	98.4	115.1	111.9	-	-	17.38	17.20
3 7/16	USRB5520-307	USRBF5520-307	72640	4 1/2	15 1/4	11 5/8	13 1/8	4 3/8	2 3/8	1 3/4	9	4 15/32	5 5/16	5 9/64	7/8	3/4	71.4	70.5
3 1/2	USRB5520-308	USRBF5520-308	323103	114.3	387.4	295.3	333.4	111.1	60.3	44.5	228.6	113.5	134.9	130.6	-	-	32.47	32.02
3 15/16	-	USRB5522-315	96050	4 15/16	16 1/2	12 19/32	14 1/2	4 3/4	2 3/4	2	9 7/8	4 15/16	6	5 41/64	-	3/4	-	87.7
4	-	USRB5522-400	427230	125.4	419.1	319.9	368.3	120.7	69.9	50.8	250.8	125.4	152.4	143.3	-	-	39.86	-
4 7/16	-	USRB5526-407	111537	6	18 3/8	14 1/2	16	5 1/8	3 1/4	2 3/8	11 9/16	6 3/4	6 1/2	6 1/8	-	7/8	-	133.2
4 1/2	-	USRB5526-408	496117	152.4	466.7	368.3	406.4	130.2	82.6	60.3	293.7	171.5	165.1	155.6	-	-	60.57	-
4 15/16	-	USRB5528-415	158816	6	19 11/16	15 5/8	17 3/8	5 7/8	3 3/8	2 3/8	12	7 27/64	7 1/2	6 27/32	-	1	-	164.1
5 7/16	-	USRB5532-507	196682	6 11/16	22	17 3/8	19 1/4	6 1/4	3 3/4	2 5/8	13 1/2	9 1/32	8 1/2	7 27/32	-	1	-	229.0
5 15/16	-	USRB5534-515	261346	7 1/16	24 3/4	19 3/8	21 5/8	6 3/4	4 1/4	2 3/4	14 15/16	9 25/32	10	8 15/32	-	1	-	313.0
6 7/16	-	USRB5536-607	334229	7 1/2	26 3/4	20 7/8	23 5/8	7 1/8	4 5/8	3	15 15/16	10 1/2	11	9 1/64	-	1	-	391.0
6 1/2	-	USRB5536-608	1486651	190.5	679.5	530.2	600.1	181.0	117.5	76.2	404.8	266.7	279.4	229.0	-	-	177.73	-
6 15/16	-	USRB5538-615	363818	7 7/8	28	21 5/8	24 3/8	7 1/2	4 1/2	3 1/8	16 9/16	10 1/2	11	9 13/64	-	1 1/4	-	435.0
7	-	USRB5538-700	1618262	200.0	711.2	549.3	619.1	190.5	114.3	79.4	420.7	266.7	279.4	233.8	-	-	197.71	-

*For expansion bearings, this dimension can decrease by the corresponding value in table VIII on page I-69.
 Note: Bore diameters up to 4" available in single lock collar. Bore diameters 4 7/16" and up available in double lock collar
 Bore diameters up to 3" - grease fitting location at 12:00.

Metric dimensions for reference only.
 Not all parts are available from stock. Please contact customer service for availability (800) 626-2120.
 For more information on bearing capabilities outside of our standard offering, please contact Application Engineering (800) 626-2093.



- Rolling Elements:** Spherical Roller
- Housing:** Cast Iron Two and Four Bolt Pillow Block
- Self Alignment:** +/- 2 Degrees
- Lock:** Adapter
- Seal:** Felt
- Optional Seal:** Double Lip Contact
- Temperature:** -20° to 220° F



USRB5500A Series Two and Four-Bolt Base Pillow Blocks - Adapter Mount, SAF Mounting Dimensions

Bore Diameter	Part No.		Basic Dynamic Rating lb/N	Dimensions inch / mm											Unit Wt.			
				A	B	C		D	E	G	H	J	L	M *	Bolt Size		lb/kg	
	Min.	Max.				2 Bolt	4 Bolt								2 Bolt	4 Bolt		
1 7/16 1 1/2	USRB5509A-107 USRB5509A-108	-	20368 90597	2 1/4 57.2	8 1/4 209.6	6 1/4 158.8	7 177.8	2 3/16 55.6	-	13/16 20.6	4 3/8 111.1	3 11/32 84.9	2 47/64 69.5	3 35/64 90.1	1/2	-	10.5 4.77	-
1 15/16 2	USRB5511A-115 USRB5511A-200	-	23520 104617	2 3/4 69.9	9 5/8 244.6	7 3/8 187.3	8 1/4 209.6	2 3/4 69.9	-	15/16 23.8	5 1/32 127.8	3 1/2 88.9	3 11/64 80.6	3 29/32 99.2	5/8	-	16.2 7.36	-
2 7/16 2 1/2	USRB5515A-207 USRB5515A-208	USRBF5515A-207 USRBF5515A-208	44691 198786	3 1/4 82.6	11 1/4 285.8	8 5/8 219.1	9 5/8 244.5	3 1/8 79.4	1 7/8 47.6	1 1/8 28.6	6 1/8 155.6	4 5/16 109.5	3 7/16 87.3	4 23/32 119.9	5/8	1/2	26.5 12.04	26.2 11.92
2 15/16 3	USRB5517A-215 USRB5517A-300	USRBF5517A-215 USRBF5517A-300	47447 211044	3 3/4 95.3	13 330.2	9 7/8 250.8	11 279.4	3 1/2 88.9	2 1/8 54.0	1 1/4 31.8	7 1/8 181.0	4 31/64 113.9	4 25/64 111.5	5 1/32 127.8	3/4	5/8	38.4 17.44	38.0 17.26
3 7/16 3 1/2	USRB5520A-307 USRB5520A-308	USRBF5520A-307 USRBF5520A-308	72640 323103	4 1/2 114.3	15 1/4 387.4	11 5/8 295.3	13 1/8 333.4	4 3/8 111.1	2 3/8 60.3	1 3/4 44.5	9 228.6	5 35/64 140.9	5 15/32 138.9	6 15/64 158.4	7/8	3/4	73.4 33.37	72.4 32.92
3 15/16 4	-	USRB5522A-315 USRB5522A-400	96050 427230	4 15/16 125.4	16 1/2 419.1	12 19/32 319.9	14 1/2 368.3	4 3/4 120.7	2 3/4 69.9	2 50.8	9 7/8 250.8	5 15/16 150.8	5 13/16 147.64	6 41/64 168.7	-	3/4	-	88.5 40.23
4 7/16 4 1/2	-	USRB5526A-407 USRB5526A-408	111537 496117	6 152.4	18 3/8 466.7	14 1/2 368.3	16 406.4	5 1/8 130.2	3 1/4 82.6	2 3/8 60.3	11 9/16 293.7	6 27/64 163.1	6 11/32 161.1	7 3/32 180.2	-	7/8	-	127.4 57.89
4 15/16 5	-	USRB5528A-415 USRB5528A-500	158816 706414	6 152.4	19 11/16 500.1	15 5/8 396.9	17 3/8 441.3	5 7/8 149.2	3 3/8 85.7	2 3/8 60.3	12 304.8	7 1/8 181.0	7 13/64 183.0	7 53/64 198.8	-	1	-	159.3 72.41
5 7/16	-	USRB5532A-507	196682 874842	6 11/16 169.9	22 558.8	17 3/8 441.3	19 1/4 489.0	6 1/4 158.8	3 3/4 95.3	2 5/8 66.7	13 1/2 342.9	7 7/8 200.0	7 47/64 196.5	8 19/32 218.3	-	1	-	214.0 97.27
5 15/16	-	USRB5534A-515	261346 1162467	7 1/16 179.4	24 3/4 628.7	19 3/8 492.1	21 5/8 549.3	6 3/4 171.5	4 1/4 108.0	2 3/4 69.9	14 15/16 379.4	8 11/16 220.7	8 1/2 215.9	9 1/4 235.0	-	1	-	287.0 130.45
6 7/16 6 1/2	-	USRB5536A-607 USRB5536A-608	334229 1486651	7 1/2 190.5	26 3/4 679.5	20 7/8 530.2	23 5/8 600.1	7 1/8 181.0	4 5/8 117.5	3 76.2	15 15/16 404.8	9 45/64 246.5	9 11/16 246.1	10 5/32 258.0	-	1	-	357.0 162.27
6 15/16 7	-	USRB5538A-615 USRB5538A-700	334229 1486651	7 7/8 200.0	28 711.2	21 5/8 549.3	24 3/8 619.1	7 1/2 190.5	4 1/2 114.3	3 1/8 79.4	16 9/16 420.7	9 23/32 246.9	9 11/16 246.1	10 11/32 262.7	-	1 1/4	-	405.0 184.09
7 1/2 7 15/16 8	-	USRB5544A-708 USRB5544A-715 USRB5544A-800	363818 1618262	9 1/2 241.3	32 3/4 831.9	24 3/4 628.7	27 7/8 708.0	8 3/4 222.3	5 1/4 133.4	3 3/4 95.3	19 5/8 498.5	10 9/16 268.3	11 7/64 282.2	11 17/32 292.9	-	1 1/2	-	656.0 298.18

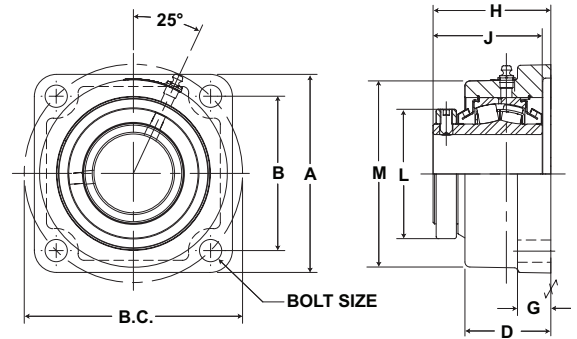
*For expansion bearings, this dimension can decrease by the corresponding value in table VIII on page I-69.
 Bore diameters up to 3" - grease fitting location at 12:00.
 One expansion unit is to be used in conjunction with one non-expansion unit for applications using an adapter lock unit
 Failure to utilize one expansion and one non-expansion unit is likely to result in reduced bearing performance.

SEALMASTER® Performance Mounted Spherical Roller Bearings

Mtd. Spherical Bearings



- Rolling Elements:** Spherical Roller
- Housing:** Cast Iron Four Bolt Flange
- Self Alignment:** +/- 2 Degrees
- Lock:** Setscrew
- Seal:** Felt
- Optional Seal:** Double Lip Contact
- Temperature:** -20° to 220° F



USFB5000 Series Four-Bolt Flange Units - Collar Mount

Bore Diameter inch	Part No.	Basic Dynamic Rating lb/N	Dimensions inch / mm										Unit Wt. lb/kg											
			A	B	B.C.	D	G	H *	J	L	M	Bolt Size												
1 7/16	USFB5000-107	20368	4 5/8	3 17/32	5	2 1/16	3/4	2 53/64	2 3/4	2 49/64	3 7/8	1/2	6.4											
1 1/2	USFB5000-108	90597	117.5	89.7	127.0	52.4	19.1	71.8	69.9	70.2	98.4		2.93											
1 11/16	USFB5000-111	22689	5	3 57/64	5 1/2	2 1/4	3/4	2 61/64	2 7/8	2 3/4	4 1/2	1/2	8.4											
1 3/4	USFB5000-112	100921	127.0	98.8	139.7	57.2	19.1	75.0	73.0	69.9	114.3		3.82											
1 15/16	USFB5000-115	23520	5 3/16	4 1/16	5 3/4	2 1/4	3/4	2 61/64	2 7/8	3	4 3/4	1/2	8.9											
2	USFB5000-200	104617	131.8	103.2	146.1	57.2	19.1	75.0	73.0	76.2	120.7		4.04											
2 3/16	USFB5000-203	28087	5 7/8	4 1/2	6 3/8	2 7/16	13/16	3 7/32	3 1/8	3 1/4	5 1/8	5/8	11.3											
		124931	149.2	114.3	161.9	61.9	20.6	81.8	79.4	82.6	130.2		5.13											
2 7/16	USFB5000-207	44691	6 1/8	4 49/64	6 3/4	2 21/32	1 1/32	3 31/64	3 3/8	4	5 3/4	5/8	15.3											
2 1/2	USFB5000-208	198786	155.6	121.0	171.5	67.5	26.2	88.5	85.7	101.6	146.1		6.95											
2 11/16	USFB5000-211	211044	182.6	141.3	200.0	73.0	23.8	101.2	98.4	115.1	168.3	3/4	10.50											
2 3/4	USFB5000-212													47447	7 3/16	5 9/16	7 7/8	2 7/8	15/16	3 63/64	3 7/8	4 17/32	6 5/8	
2 15/16	USFB5000-215																							
3	USFB5000-300																							
3 3/16	USFB5000-303	72640	8 3/8	6 23/32	9 1/2	3 9/32	1 1/8	4 19/32	4 15/32	5 5/16	7 5/8	3/4	36.0											
3 7/16	USFB5000-307	323103	212.7	170.7	241.3	83.3	28.6	116.7	113.5	134.9	193.7		16.38											
3 1/2	USFB5000-308																							
3 11/16	USFB5000-311	96050	9 1/2	7 19/32	10 3/4	3 11/16	1 1/4	5 5/64	4 15/16	6	8 7/8	7/8	46.1											
3 15/16	USFB5000-315	427230	241.3	192.9	273.1	93.7	31.8	129.0	125.4	152.4	225.4		20.98											
4	USFB5000-400																							

*For expansion bearings, this dimension can increase by the corresponding value in table VIII on page I-69.

Metric dimensions for reference only.

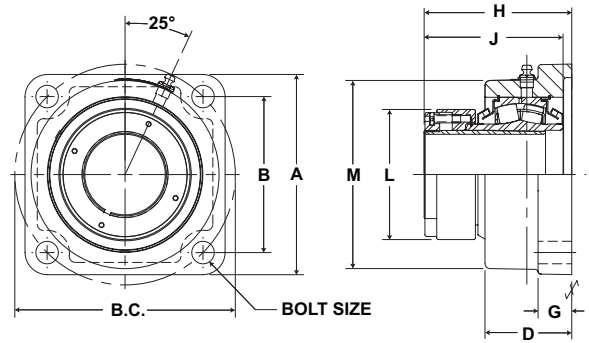
Not all parts are available from stock. Please contact customer service for availability (800) 626-2120.

For more information on bearing capabilities outside of our standard offering, please contact Application Engineering (800) 626-2093.

Performance Mounted Spherical Roller Bearings **SEALMASTER**®



- Rolling Elements:** Spherical Roller
- Housing:** Cast Iron Four Bolt Flange
- Self Alignment:** +/- 2 Degrees
- Lock:** Adapter
- Seal:** Felt
- Optional Seal:** Double Lip Contact
- Temperature:** -20° to 220° F



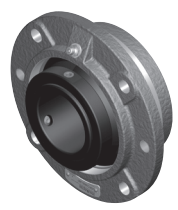
USFB5000A Series Four-Bolt Flange Units - Adapter Mount

Bore Diameter	Part No.	Basic Dynamic Rating lb/N	Dimensions inch / mm										Unit Wt. lb/kg
			A	B	B.C.	D	G	H*	J	L	M	Bolt Size	
1 7/16	USFB5000A-107	20368	4 5/8	3 17/32	5	2 1/16	3/4	3 7/16	3 11/32	2 47/64	3 7/8	1/2	6.7
1 1/2	USFB5000A-108	90597	117.5	89.7	127.0	52.4	19.1	87.3	84.9	69.5	98.4		3.06
1 11/16	USFB5000A-111	22689	5	3 57/64	5 1/2	2 1/4	3/4	3 35/64	3 29/64	2 31/32	4 1/2	1/2	8.9
1 3/4	USFB5000A-112	100921	127.0	98.8	139.7	57.2	19.1	90.1	87.7	75.4	114.3		4.04
1 15/16	USFB5000A-115	23520	5 3/16	4 1/16	5 3/4	2 1/4	3/4	3 37/64	3 1/2	3 11/64	4 3/4	1/2	9.5
2	USFB5000A-200	104617	131.8	103.2	146.1	57.2	19.1	90.9	88.9	80.6	120.7		4.33
2 3/16	USFB5000A-203	28087	5 7/8	4 1/2	6 3/8	2 7/16	13/16	3 31/32	3 7/8	3 7/16	5 1/8	5/8	11.9
		124931	149.2	114.3	161.9	61.9	20.6	100.8	98.4	87.3	130.2		5.42
2 7/16	USFB5000A-207	44691	6 1/8	4 49/64	6 3/4	2 21/32	1 1/32	4 13/32	4 5/16	3 63/64	5 3/4	5/8	16.2
2 1/2	USFB5000A-208	198786	155.6	121.0	171.5	67.5	26.2	111.9	109.5	101.2	146.1		7.37
2 11/16	USFB5000A-211	47447 211044	7 3/16	5 9/16	7 7/8	2 7/8	15/16	4 19/32	4 31/64	4 25/64	6 5/8	3/4	23.2
2 3/4	USFB5000A-212												
2 15/16	USFB5000A-215												
3	USFB5000A-300												
3 3/16	USFB5000A-303	72640 323103	8 3/8	6 23/32	9 1/2	3 9/32	1 1/8	5 43/64	5 35/64	5 15/32	7 5/8	3/4	38.0
3 7/16	USFB5000A-307												
3 1/2	USFB5000A-308												
3 11/16	USFB5000A-311	96050 427230	9 1/2	7 19/32	10 3/4	3 11/16	1 1/4	6 5/64	5 15/16	5 13/16	8 7/8	7/8	46.9
3 15/16	USFB5000A-315												
4	USFB5000A-400												

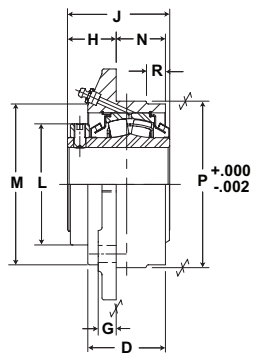
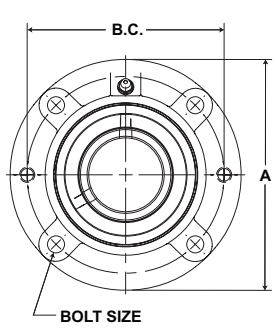
*For expansion bearings, this dimension can increase by the corresponding value in table VIII on page I-69.
 One expansion unit is to be used in conjunction with one non-expansion unit for applications using an adapter lock unit.
 Failure to utilize one expansion and one non-expansion unit is likely to result in reduced bearing performance.

SEALMASTER® Performance Mounted Spherical Roller Bearings

Mtd. Spherical Bearings



- Rolling Elements:** Spherical Roller
- Housing:** Cast Iron Piloted Flange Cartridge
- Self Alignment:** +/- 2 Degrees
- Lock:** Setscrew
- Seal:** Felt
- Optional Seal:** Double Lip Contact
- Temperature:** -20° to 220° F



USFC5000 Series Piloted Flange Cartridge Units - Collar Mount

Bore Diameter	Part No.	Basic Dynamic Rating lb/N	Dimensions inch / mm											Unit Wt. lb/kg	
			A	B.C.	D	G	H *	J	K	M	N *	P	R		Bolt Size
1 7/16	USFC5000-107	20368	5 1/4	4 3/8	2 1/16	15/32	1 7/16	2 3/4	2 49/64	3 1/2	1 9/32	3 5/8	-	3/8	6.4
1 1/2	USFC5000-108	91249	133.4	111.1	52.4	11.9	36.5	69.9	70.2	88.9	32.5	92.1	-	3/8	2.93
1 11/16	USFC5000-111	22689	6 1/8	5 1/8	2 1/4	15/32	1 27/64	2 7/8	2 3/4	4	1 7/16	4 1/4	9/16	7/16	7.4
1 3/4	USFC5000-112	101647	155.6	130.2	57.2	11.9	36.1	73.0	69.9	101.6	36.5	108.0	14.3	7/16	3.37
1 15/16	USFC5000-115	23520	6 3/8	5 3/8	2 1/4	17/32	1 25/64	2 7/8	3	4 3/8	1 15/32	4 1/2	5/8	7/16	8.1
2	USFC5000-200	105370	161.9	136.5	57.2	13.5	35.3	73.0	76.2	111.1	37.3	114.3	15.9	7/16	3.70
2 3/16	USFC5000-203	28087	7 1/8	6	2 3/8	17/32	1 19/32	3 1/8	3 1/4	4 3/4	1 15/32	5	15/32	1/2	10.2
		125830	181.0	152.4	60.3	13.5	40.5	79.4	82.6	120.7	37.3	127.0	11.9	1/2	4.66
2 7/16	USFC5000-207	44691	7 5/8	6 1/2	2 9/16	19/32	1 19/32	3 3/8	4	5 5/16	1 5/8	5 1/2	5/8	1/2	14.4
2 1/2	USFC5000-208	200216	193.7	165.1	65.1	15.1	40.5	85.7	101.6	134.9	41.3	139.7	15.9	1/2	6.53
2 11/16	USFC5000-211														
2 3/4	USFC5000-212	47447	8 3/4	7 1/2	2 7/8	23/32	2	3 7/8	4 17/32	6	1 27/32	6 3/8	19/32	5/8	21.8
2 15/16	USFC5000-215	212563	222.3	190.5	73.0	18.3	50.8	98.4	115.1	152.4	46.8	161.9	15.1	5/8	9.92
3	USFC5000-300														
3 3/16	USFC5000-303	72640	10 1/4	8 5/8	3 1/8	53/64	2 13/32	4 15/32	5 5/16	7 3/16	1 27/32	7 3/8	5/8	3/4	33.6
3 7/16	USFC5000-307	325427	260.4	219.1	79.4	21.0	61.1	113.5	134.9	182.6	46.8	187.3	15.9	3/4	15.25
3 1/2	USFC5000-308														
3 11/16	USFC5000-311	96050	10 7/8	9 3/8	3 1/2	31/32	2 21/32	4 15/16	6	7 3/4	2 1/16	8 1/8	9/16	3/4	42.3
3 15/16	USFC5000-315	430304	276.2	238.1	88.9	24.6	67.5	125.4	152.4	196.9	52.4	206.4	14.3	3/4	19.25
4	USFC5000-400														

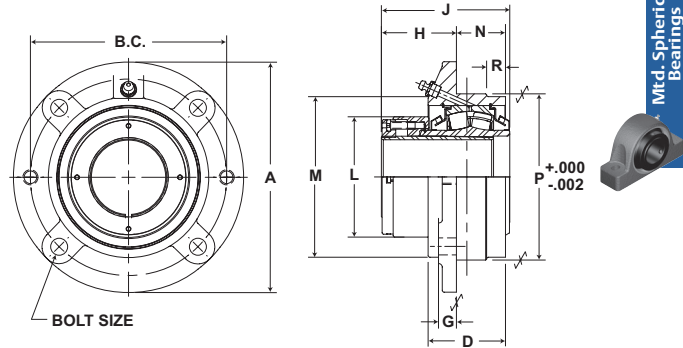
*For expansion bearings, the sum of dimension "H" and "N" can increase by the corresponding value in table VIII on page I-69.

Metric dimensions for reference only.
 Not all parts are available from stock. Please contact customer service for availability (800) 626-2120.
 For more information on bearing capabilities outside of our standard offering, please contact Application Engineering (800) 626-2093.

Performance Mounted Spherical Roller Bearings **SEALMASTER®**



- Rolling Elements:** Spherical Roller
- Housing:** Cast Iron Piloted Flange Cartridge
- Self Alignment:** +/- 2 Degrees
- Lock:** Adapter
- Seal:** Felt
- Optional Seal:** Double Lip Contact
- Temperature:** -20° to 220° F



Med. Spherical Bearings

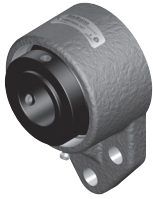
USFC5000A Series Piloted Flange Cartridge Units - Adapter Mount

Bore Diameter Inch	Part No.	Basic Dynamic Rating lb/N	Dimensions inch / mm											Unit Wt. lb/kg															
			A	B.C.	D	G	H *	J	L	M	N *	P	R		Bolt Size														
1 7/16	USFC5000A-107	20368	5 1/4	4 3/8	2 1/16	15/32	2 3/64	3 11/32	2 47/64	3 1/2	1 9/32	3 5/8	-	3/8	5.6														
1 1/2	USFC5000A-108	90597	133.4	111.1	52.4	11.9	52.0	84.9	69.5	88.9	32.5	92.1	-	3/8	2.56														
1 11/16	USFC5000A-111	22689	6 1/8	5 1/8	2 1/4	15/32	2	3 29/64	2 31/32	4	1 7/16	4 1/4	9/16	7/16	7.9														
1 3/4	USFC5000A-112	100921	155.6	130.2	57.2	11.9	50.8	87.7	75.4	101.6	36.5	108.0	14.3	7/16	3.60														
1 15/16	USFC5000A-115	23520	6 3/8	5 3/8	2 1/4	17/32	2 1/64	3 1/2	3 11/64	4 3/8	1 15/32	4 1/2	5/8	7/16	8.6														
2	USFC5000A-200	104617	161.9	136.5	57.2	13.5	51.2	88.9	80.6	111.1	37.3	114.3	15.9	7/16	3.92														
2 3/16	USFC5000A-203	28087	7 1/8	6	2 3/8	17/32	2 11/32	3 7/8	3 7/16	4 3/4	1 15/32	5	15/32	1/2	10.9														
		124931	181.0	152.4	60.3	13.5	59.5	98.4	87.3	120.7	37.3	127.0	11.9	1/2	4.95														
2 7/16	USFC5000A-207	44691	7 5/8	6 1/2	2 9/16	19/32	2 17/32	4 5/16	3 63/64	5 5/16	1 5/8	5 1/2	5/8	1/2	15.3														
2 1/2	USFC5000A-208	198786	193.7	165.1	65.1	15.1	64.3	109.5	101.2	134.9	41.3	139.7	15.9	1/2	6.95														
2 11/16	USFC5000A-211	211044	222.3	190.5	73.0	18.3	65.9	113.9	111.5	152.4	46.8	161.9	15.1	5/8	21.9														
2 3/4	USFC5000A-212															47447	8 3/4	7 1/2	2 7/8	23/32	2 19/32	4 31/64	4 25/64	6	1 27/32	6 3/8	19/32	5/8	21.9
2 15/16	USFC5000A-215															211044	222.3	190.5	73.0	18.3	65.9	113.9	111.5	152.4	46.8	161.9	15.1	5/8	9.97
3	USFC5000A-300																												
3 3/16	USFC5000A-303	72640	10 1/4	8 5/8	3 1/8	53/64	3 1/2	5 35/64	5 15/32	7 3/16	1 27/32	7 3/8	5/8	3/4	35.5														
3 7/16	USFC5000A-307	323103	260.4	219.1	79.4	21.0	88.9	140.9	138.9	182.6	46.8	187.3	15.9	3/4	16.15														
3 1/2	USFC5000A-308																												
3 11/16	USFC5000A-311	96050	10 7/8	9 3/8	3 1/2	31/32	3 21/32	5 15/16	5 13/16	7 3/4	2 1/16	8 1/8	9/16	3/4	43.1														
3 15/16	USFC5000A-315	427230	276.2	238.1	88.9	24.6	92.9	150.8	147.6	196.9	52.4	206.4	14.3	3/4	19.59														
4	USFC5000A-400																												

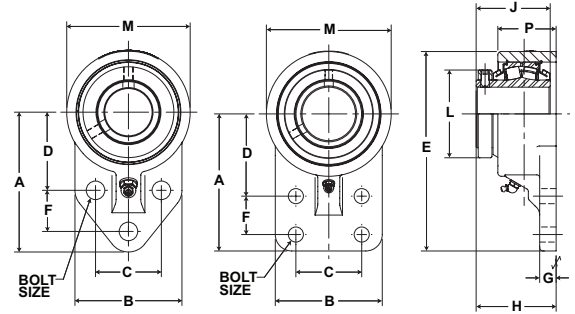
*For expansion bearings, the sum of dimension "H" and "N" can increase by the corresponding value in table VIII on page I-69. One expansion unit is to be used in conjunction with one non-expansion unit for applications using an adapter lock unit. Failure to utilize one expansion and one non-expansion unit is likely to result in reduced bearing performance.

SEALMASTER® Performance Mounted Spherical Roller Bearings

Mtd. Spherical Bearings



- Rolling Elements:** Spherical Roller
- Housing:** Ductile Iron Flange Bracket
- Self Alignment:** +/- 2 Degrees
- Lock:** Setscrew
- Seal:** Felt
- Optional Seal:** Double Lip Contact
- Temperature:** -20° to 220° F



USBF5000 Series Three-Bolt Flange Brackets - Collar Mount

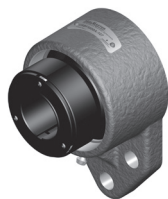
Bore Diameter inch	Part No.	Basic Dynamic Rating lb/N	Dimensions inch / mm													Unit Wt. lb/kg
			A	B	C	D	E	F	G	H*	J	L	M	P	Bolt Size	
1 7/16	USBF5000-107	20368	4 1/4	3 1/4	2	2 3/8	6 1/8	1 1/4	5/8	2 53/64	2 3/4	2 49/64	3 3/4	2 1/4	1/2	6.4
		90597	108.0	82.6	50.8	60.3	155.6	31.8	15.9	71.8	69.9	70.2	95.3	57.2		2.91
1 15/16	USBF5000-115	23520	5 3/16	4	2 3/4	2 15/16	7 5/16	1 5/8	11/16	2 31/32	2 7/8	3	4 1/4	2 3/8	1/2	7.5
		104617	131.8	101.6	69.9	74.6	185.7	41.3	17.5	75.4	73.0	76.2	108.0	60.3		3.41

USBF5000 Series Four-Bolt Flange Brackets - Collar Mount

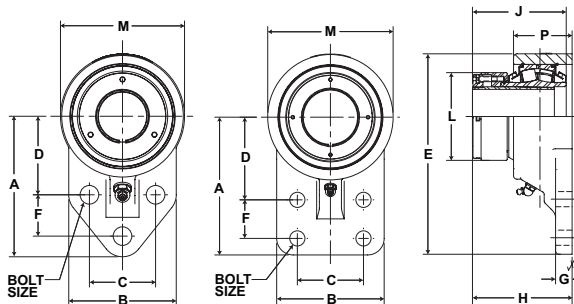
Bore Diameter inch	Part No.	Basic Dynamic Rating lb/N	Dimensions inch / mm													Unit Wt. lb/kg
			A	B	C	D	E	F	G	H*	J	L	M	P	Bolt Size	
2 7/16	USBFF5000-207	44691	6 1/4	4 7/8	3	3 3/4	9 3/32	1 3/4	3/4	3 31/64	3 3/8	4	5 11/16	2 21/32	5/8	16.6
		198786	158.8	123.8	76.2	95.3	231.0	44.5	19.1	88.5	85.7	101.6	144.5	67.5		7.55

*For expansion bearings, this dimension can increase by the corresponding value in table VIII on page I-69.

Metric dimensions for reference only.
 Not all parts are available from stock. Please contact customer service for availability (800) 626-2120.
 For more information on bearing capabilities outside of our standard offering, please contact Application Engineering (800) 626-2093.



- Rolling Elements:** Spherical Roller
- Housing:** Ductile Iron Flange Bracket
- Self Alignment:** +/- 2 Degrees
- Lock:** Adapter
- Seal:** Felt
- Optional Seal:** Double Lip Contact
- Temperature:** -20° to 220° F



USBF5000A Series Three-Bolt Flange Brackets - Adapter Mount

Bore Diameter inch	Part No.	Basic Dynamic Rating lb/N	Dimensions inch / mm													Unit Wt. lb/kg
			A	B	C	D	E	F	G	H*	J	L	M	P	Bolt Size	
1 7/16	USBF5000A-107	20368	4 1/4	3 1/4	2	2 3/8	6 1/8	1 1/4	5/8	3 7/16	3 11/32	2 47/64	3 3/4	2 1/4	1/2	6.1
		90597	108.0	82.6	50.8	60.3	155.6	31.8	15.9	87.3	84.9	69.5	95.3	57.2		2.76
1 15/16	USBF5000A-115	23520	5 3/16	4	2 3/4	2 15/16	7 5/16	1 5/8	11/16	3 37/64	3 1/2	3 11/64	4 1/4	2 3/8	1/2	8.0
		105370	131.8	101.6	69.9	74.6	185.7	41.3	17.5	90.9	88.9	80.6	108.0	60.3		3.63

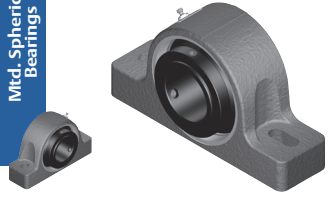
USBF5000A Series Four-Bolt Flange Brackets - Adapter Mount

Bore Diameter inch	Part No.	Basic Dynamic Rating lb/N	Dimensions inch / mm													Unit Wt. lb/kg
			A	B	C	D	E	F	G	H*	J	L	M	P	Bolt Size	
2 7/16	USBFF5000A-207	44691	6 1/4	4 7/8	3	3 3/4	9 3/32	1 3/4	3/4	4 13/32	4 5/16	3 63/64	5 11/16	2 21/32	5/8	17.6
		198786	158.8	123.8	76.2	95.3	231.0	44.5	19.1	111.9	109.5	101.2	144.5	67.5		7.99

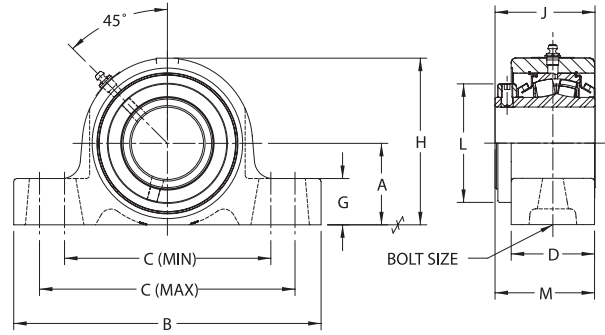
*For expansion bearings, this dimension can increase by the corresponding value in table VIII on page I-69.
 One expansion unit is to be used in conjunction with one non-expansion unit for applications using an adapter lock unit.
 Failure to utilize one expansion and one non-expansion unit is likely to result in reduced bearing performance.

SEALMASTER® Performance Mounted Spherical Roller Bearings

Mtd. Spherical Bearings



- Rolling Elements:** Spherical Roller
- Housing:** Ductile Iron Two Bolt Pillow Block
- Self Alignment:** +/- 2 Degrees
- Lock:** Setscrew
- Seal:** Felt
- Optional Seal:** Double Lip Contact
- Temperature:** -20° to 220° F



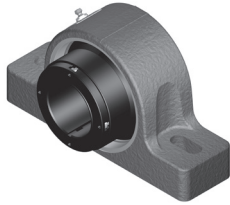
USRBE5000 Series Two-Bolt Base Pillow Blocks - Collar Mount, Type E Mounting Dimensions

Bore Diameter	Part No.	Basic Dynamic Rating lb/N	Dimensions inch / mm										Unit Wt. lb/kg													
			A	B	C		D	G	H	J	L	M*		Bolt Size												
					Min.	Max.																				
1 15/16	USRBE5000-115	23520	2 1/4	8 7/8	6	7 1/8	2 7/16	1 5/16	4 17/32	2 7/8	3	2 63/64	5/8	11.4												
2	USRBE5000-200	104617	57.2	225.4	152.4	181.0	61.9	33.3	115.1	73.0	76.2	75.8		5.18												
2 3/16	USRBE5000-203	28087	2 1/2	9 5/8	6 1/2	7 7/8	2 1/2	1 7/16	4 31/32	3 1/8	3 1/4	3 1/8	5/8	13.7												
		124931	63.5	244.5	165.1	200.0	63.5	36.5	126.2	79.4	82.6	79.4		6.21												
2 7/16	USRBE5000-207	44691	2 3/4	10 3/8	6 7/8	8 5/8	2 13/16	1 9/16	5 5/8	3 3/8	4	3 11/32	5/8	19.4												
2 1/2	USRBE5000-208	198786	69.9	263.5	174.6	219.1	71.4	39.7	142.9	85.7	101.6	84.5		8.82												
2 11/16	USRBE5000-211	211044	79.4	295.3	200.0	244.5	66.7	41.3	154.0	98.4	115.1	93.7	3/4	10.14												
2 3/4	USRBE5000-212														47447	3 1/8	11 5/8	7 7/8	9 5/8	2 5/8	1 5/8	6 1/16	3 7/8	4 17/32	3 11/16	
2 15/16	USRBE5000-215																									
3	USRBE5000-300																									
3 3/16	USRBE5000-303	72640	3 3/4	13 1/2	9 3/8	11 1/4	3 1/8	2 1/16	7 3/8	4 15/32	5 5/16	4 7/32	7/8	38.8												
3 7/16	USRBE5000-307	323103	95.3	342.9	238.1	285.8	79.4	52.4	187.3	113.5	134.9	107.2		17.62												
3 1/2	USRBE5000-308																									
3 11/16	USRBE5000-311	96050	4 1/8	14 1/4	10	11 3/4	3 9/16	2 1/4	8 1/2	4 15/16	6	4 23/32	1	55.4												
3 15/16	USRBE5000-315	427230	104.8	362.0	254.0	298.5	90.5	57.2	215.9	125.4	152.4	119.9		25.19												
4	USRBE5000-400																									

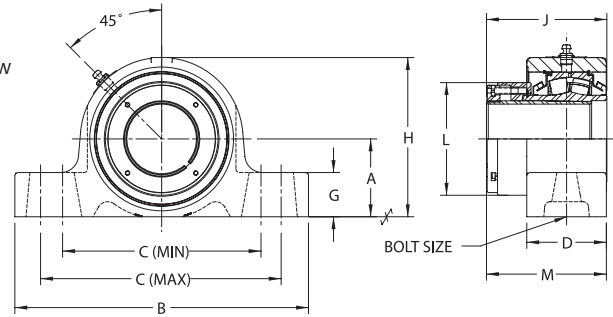
*For expansion bearings, this dimension can increase by the corresponding value in table VIII on page I-69.

Metric dimensions for reference only.
 Not all parts are available from stock. Please contact customer service for availability (800) 626-2120.
 For more information on bearing capabilities outside of our standard offering, please contact Application Engineering (800) 626-2093.

Performance Mounted Spherical Roller Bearings **SEALMASTER**®



- Rolling Elements:** Spherical Roller
- Housing:** Ductile Iron Two Bolt Pillow Block
- Self Alignment:** +/- 2 Degrees
- Lock:** Adapter
- Seal:** Felt
- Optional Seal:** Double Lip Contact
- Temperature:** -20° to 220° F



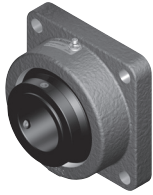
USRBE5000A Series Two-Bolt Base Pillow Blocks - Adapter Mount, Type E Mounting Dimensions

Bore Diameter inch	Part No.	Basic Dynamic Rating lb/N	Dimensions inch / mm										Unit Wt. lb/kg													
			A	B	C		D	G	H	J	L	M *		Bolt Size												
					Min.	Max.																				
1 15/16	USRBE5000A-115	23520	2 1/4	8 7/8	6	7 1/8	2 7/16	1 5/16	4 17/32	3 1/2	3 11/64	3 19/32	5/8	11.9												
2	USRBE5000A-200	104617	57.2	225.4	152.4	181.0	61.9	33.3	115.1	88.9	80.6	91.3		5.41												
2 3/16	USRBE5000A-203	28087	2 1/2	9 5/8	6 1/2	7 7/8	2 1/2	1 7/16	4 31/32	3 7/8	3 7/16	3 7/8	5/8	14.3												
		124931	63.5	244.5	165.1	200.0	63.5	36.5	126.2	98.4	87.3	98.4		6.50												
2 7/16	USRBE5000A-207	44691	2 3/4	10 3/8	6 7/8	8 5/8	2 13/16	1 9/16	5 5/8	4 5/16	3 63/64	4 19/64	5/8	20.3												
2 1/2	USRBE5000A-208	198786	69.9	263.5	174.6	219.1	71.4	39.7	142.9	109.5	101.2	109.1		9.23												
2 11/16	USRBE5000A-211	211044	79.4	295.3	200.0	244.5	66.7	41.3	154.0	113.9	111.5	108.7	3/4	10.18												
2 3/4	USRBE5000A-212														47447	3 1/8	11 5/8	7 7/8	9 5/8	2 5/8	1 5/8	6 1/16	4 31/64	4 25/64	4 9/32	
2 15/16	USRBE5000A-215																									
3	USRBE5000A-300																									
3 3/16	USRBE5000A-303	72640	3 3/4	13 1/2	9 3/8	11 1/4	3 1/8	2 1/16	7 3/8	5 35/64	5 15/32	5 19/64	7/8	40.7												
3 7/16	USRBE5000A-307	323103	95.3	342.9	238.1	285.8	79.4	52.4	187.3	140.9	138.9	134.5		18.50												
3 1/2	USRBE5000A-308																									
3 11/16	USRBE5000A-311	96050	4 1/8	14 1/4	10	11 3/4	3 9/16	2 1/4	8 1/2	5 15/16	5 13/16	5 23/32	1	56.2												
3 15/16	USRBE5000A-315	427230	104.8	362.0	254.0	298.5	90.5	57.2	215.9	150.8	147.6	145.3		25.55												
4	USRBE5000A-400																									

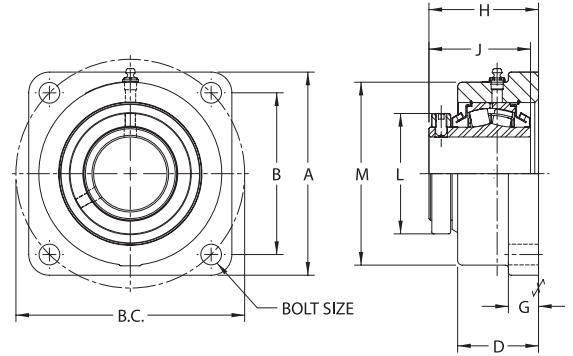
*For expansion bearings, this dimension can increase by the corresponding value in table VIII on page I-69.
 One expansion unit is to be used in conjunction with one non-expansion unit for applications using an adapter lock unit
 Failure to utilize one expansion and one non-expansion unit is likely to result in reduced bearing performance.

SEALMASTER® Performance Mounted Spherical Roller Bearings

Mtd. Spherical Bearings



- Rolling Elements:** Spherical Roller
- Housing:** Ductile Iron Four Bolt Flange
- Self Alignment:** +/- 2 Degrees
- Lock:** Setscrew
- Seal:** Felt
- Optional Seal:** Double Lip Contact
- Temperature:** -20° to 220° F



USFBE5000 Series Four-Bolt Flange Units - Collar Mount, Type E Mounting Dimensions

Bore Diameter inch	Part No.	Basic Dynamic Rating lb/N	Dimensions inch / mm										Unit Wt. lb/kg
			A	B	B.C.	D	G	H*	J	L	M	Bolt Size	
1 15/16	USFBE5000-115	23520	5 1/2	4 3/8	6 3/16	2 9/16	7/8	3 3/16	2 7/8	3	4 31/32	1/2	11.6
2	USFBE5000-200	104617	139.7	111.1	157.2	65.1	22.2	81.0	73.0	76.2	126.2		5.25
2 3/16	USFBE5000-203	28087 124931	6 3/16	4 7/8	6 57/64	2 5/8	1	3 5/16	3 1/8	3 1/4	5 15/32	5/8	14.8 6.75
2 7/16	USFBE5000-207	44691	6 3/4	5 3/8	7 19/32	2 11/16	1	3 31/64	3 3/8	4	6 3/32		19.1
2 1/2	USFBE5000-208	198786	171.5	136.5	192.9	68.3	25.4	88.5	85.7	101.6	154.8	5/8	8.68
2 11/16	USFBE5000-211	47447 211044	7 5/8	6	8 31/64	2 3/4	1 1/16	3 63/64	3 7/8	4 17/32	6 53/64	3/4	26.4 12.00
2 3/4	USFBE5000-212												
2 15/16	USFBE5000-215												
3	USFBE5000-300	193.7	152.4	215.5	69.9	27.0	101.2	98.4	115.1	173.4			
3 3/16	USFBE5000-303	72640	8 5/8	7	9 29/32	3 1/4	1 1/4	4 19/32	4 15/32	5 5/16	7 31/32	3/4	40.3
3 7/16	USFBE5000-307	323103	219.1	177.8	251.6	82.6	31.8	116.7	113.5	134.9	202.4		18.34
3 1/2	USFBE5000-308												
3 11/16	USFBE5000-311	96050	9 1/2	7 19/32	10 3/4	3 11/16	1 1/4	5 5/64	4 15/16	6	8 7/8	7/8	52.3
3 15/16	USFBE5000-315	427230	241.3	192.9	273.1	93.7	31.8	129.0	125.4	152.4	225.4		23.76
4	USFBE5000-400												

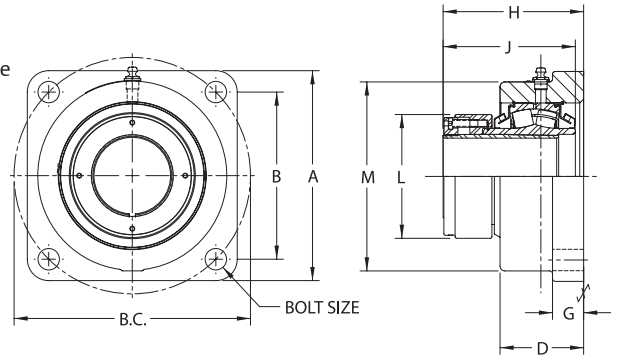
*For expansion bearings, this dimension can increase by the corresponding value in table VIII on page I-69.

Metric dimensions for reference only.
 Not all parts are available from stock. Please contact customer service for availability (800) 626-2120.
 For more information on bearing capabilities outside of our standard offering, please contact Application Engineering (800) 626-2093.

Performance Mounted Spherical Roller Bearings **SEALMASTER**[®]



- Rolling Elements:** Spherical Roller
- Housing:** Ductile Iron Four Bolt Flange
- Self Alignment:** +/- 2 Degrees
- Lock:** Adapter
- Seal:** Felt
- Optional Seal:** Double Lip Contact
- Temperature:** -20° to 220° F



USFBE5000A Series Four-Bolt Flange Units - Adapter Mount, Type E Mounting Dimensions

Bore Diameter	Part No.	Basic Dynamic Rating lb/N	Dimensions inch / mm										Unit Wt. lb/kg	
			A	B	B.C.	D	G	H *	J	L	M	Bolt Size		
1 15/16	USFBE5000A-115	23520	5 1/2	4 3/8	6 3/16	2 9/16	7/8	3 51/64	3 1/2	3 11/64	4 31/32	1/2	12.0	
2	USFBE5000A-200	104617	139.7	111.1	157.2	65.1	22.2	96.4	88.9	80.6	126.2		5.48	
2 3/16	USFBE5000A-203	28087 124931	6 3/16	4 7/8	6 57/64	2 5/8	1	4 1/16	3 7/8	3 7/16	5 15/32	5/8	15.5 7.04	
2 7/16	USFBE5000A-207	44691	6 3/4	5 3/8	7 19/32	2 11/16	1	4 13/32	4 5/16	3 63/64	6 3/32		5/8	20.0 9.10
2 1/2	USFBE5000A-208	198786	171.5	136.5	192.9	68.3	25.4	111.9	109.5	101.2	154.8	3/4		9.10
2 11/16	USFBE5000A-211	47447	7 5/8	6	8 31/64	2 3/4	1 1/16	4 19/32	4 31/64	4 25/64	6 53/64		3/4	26.5
2 3/4	USFBE5000A-212													
2 15/16	USFBE5000A-215	211044	193.7	152.4	215.5	69.9	27.0	116.7	113.9	111.5	173.4		3/4	12.04
3	USFBE5000A-300													
3 3/16	USFBE5000A-303	72640 323103	8 5/8	7	9 29/32	3 1/4	1 1/4	5 43/64	5 35/64	5 15/32	7 31/32	3/4	42.3 19.23	
3 7/16	USFBE5000A-307													
3 1/2	USFBE5000A-308													
3 11/16	USFBE5000A-311	96050 427230	9 1/2	7 19/32	10 3/4	3 11/16	1 1/4	6 5/64	5 15/16	5 13/16	8 7/8	7/8	53.0 24.10	
3 15/16	USFBE5000A-315													
4	USFBE5000A-400													

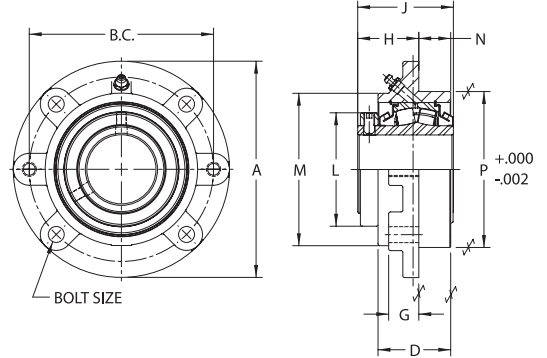
*For expansion bearings, this dimension can increase by the corresponding value in table VIII on page I-69. One expansion unit is to be used in conjunction with one non-expansion unit for applications using an adapter lock unit. Failure to utilize one expansion and one non-expansion unit is likely to result in reduced bearing performance.

SEALMASTER® Performance Mounted Spherical Roller Bearings

Mtd. Spherical Bearings



- Rolling Elements:** Spherical Roller
- Housing:** Ductile Iron Piloted Flange Cartridge
- Self Alignment:** +/- 2 Degrees
- Lock:** Setscrew
- Seal:** Felt
- Optional Seal:** Double Lip Contact
- Temperature:** -20° to 220° F



USFCE5000 Series Flange Cartridge Units - Collar Mount, Type E Mounting Dimensions

Bore Diameter inch	Part No.	Basic Dynamic Rating lb/N	Dimensions inch / mm										Unit Wt. lb/kg	
			A	B.C.	D	G	H *	J	L	M	N *	P		Bolt Size
1 15/16	USFCE5000-115	23520	6 3/8	5 3/8	2 7/16	1	1 31/32	2 7/8	3	4 1/2	1 1/16	4 1/2	3/8	9.6
2	USFCE5000-200	104617	161.9	136.5	61.9	25.4	50.0	73.0	76.2	114.3	27.0	114.3		4.35
2 3/16	USFCE5000-203	28087	7 1/8	6	2 1/2	1	2 1/16	3 1/8	3 1/4	4 7/8	1 1/8	5	1/2	11.8
		124931	181.0	152.4	63.5	25.4	52.4	79.4	82.6	123.8	28.6	127.0		5.35
2 7/16	USFCE5000-207	44691	7 5/8	6 1/2	2 9/16	1 1/16	2 5/32	3 3/8	4	5 3/8	1 1/8	5 1/2	1/2	15.0
2 1/2	USFCE5000-208	198786	193.7	165.1	65.1	27.0	54.8	85.7	101.6	136.5	28.6	139.7		6.83
2 11/16	USFCE5000-211	47447 211044	8 3/4 222.3	7 1/2 190.5	2 9/16 65.1	15/16 23.8	2 7/16 61.9	3 7/8 98.4	4 17/32 115.1	6 1/4 158.8	1 1/4 31.8	6 3/8 161.9	5/8	22.0 10.02
2 3/4	USFCE5000-212													
2 15/16	USFCE5000-215													
3	USFCE5000-300	72640 323103	10 1/4 260.4	8 5/8 219.1	3 1/8 79.4	1 7/16 36.5	2 15/16 74.6	4 15/32 113.5	5 5/16 134.9	7 1/8 181.0	1 5/16 33.3	7 3/8 187.3	3/4	36.5 16.59
3 3/16	USFCE5000-303													
3 7/16	USFCE5000-307													
3 1/2	USFCE5000-308	96050 427230	10 7/8 276.2	9 3/8 238.1	3 1/2 88.9	1 1/16 27.0	2 21/32 67.5	4 15/16 125.4	6 152.4	7 3/4 196.9	2 1/16 52.4	8 1/8 206.4	3/4	42.7 19.40
3 11/16	USFCE5000-311													
3 15/16	USFCE5000-315													
4	USFCE5000-400													

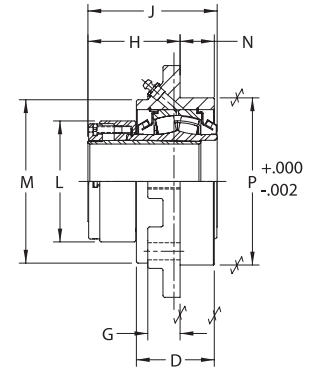
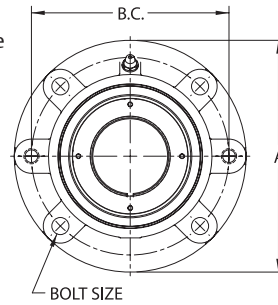
*For expansion bearings, the sum of dimension "H" and "N" can increase by the corresponding value in table VIII on page I-69.

Metric dimensions for reference only.
 Not all parts are available from stock. Please contact customer service for availability (800) 626-2120.
 For more information on bearing capabilities outside of our standard offering, please contact Application Engineering (800) 626-2093.

Performance Mounted Spherical Roller Bearings **SEALMASTER**®



- Rolling Elements:** Spherical Roller
- Housing:** Ductile Iron Piloted Flange Cartridge
- Self Alignment:** +/- 2 Degrees
- Lock:** Adapter
- Seal:** Felt
- Optional Seal:** Double Lip Contact
- Temperature:** -20° to 220° F



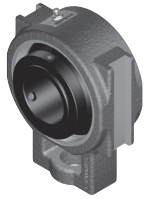
USFCE5000A Series Flange Cartridge Units - Adapter Mount, Type E Mounting Dimensions

Bore Diameter inch	Part No.	Basic Dynamic Rating lb/N	Dimensions inch / mm										Unit Wt. lb/kg													
			A	B.C.	D	G	H *	J	L	M	N *	P		Bolt Size												
1 15/16	USFCE5000A-115	23520	6 3/8	5 3/8	2 7/16	1	2 19/32	3 1/2	3 11/64	4 1/2	1 1/16	4 1/2	3/8	10.1												
2	USFCE5000A-200	104617	161.9	136.5	61.9	25.4	65.9	88.9	80.6	114.3	27.0	114.3		4.57												
2 3/16	USFCE5000A-203	28087	7 1/8	6	2 1/2	1	2 7/8	3 7/8	3 7/16	4 7/8	1 1/8	5	1/2	12.4												
		124931	181.0	152.4	63.5	25.4	73.0	98.4	87.3	123.8	28.6	127.0		5.65												
2 7/16	USFCE5000A-207	44691	7 5/8	6 1/2	2 9/16	1 1/16	3 5/64	4 5/16	3 63/64	5 3/8	1 1/8	5 1/2	1/2	15.9												
2 1/2	USFCE5000A-208	198786	193.7	165.1	65.1	27.0	78.2	109.5	101.2	136.5	28.6	139.7		7.24												
2 11/16	USFCE5000A-211	47447	8 3/4	7 1/2	2 9/16	15/16	3 3/64	4 31/64	4 25/64	6 1/4	1 1/4	6 3/8	5/8	22.1												
2 3/4	USFCE5000A-212														211044	222.3	190.5	65.1	23.8	77.4	113.9	111.5	158.8	31.8	161.9	10.06
2 15/16	USFCE5000A-215														3	USFCE5000A-300	USFCE5000A-303	USFCE5000A-307	USFCE5000A-308	USFCE5000A-311	USFCE5000A-315	USFCE5000A-400	96050	427230	10 7/8	276.2
3 3/16	USFCE5000A-303	72640	10 1/4	8 5/8	3 1/8	1 7/16	4 1/32	5 35/64	5 15/32	7 1/8	1 5/16	7 3/8	38.5													
3 7/16	USFCE5000A-307	323103	260.4	219.1	79.4	36.5	102.4	140.9	138.9	181.0	33.3	187.3	17.49													
3 1/2	USFCE5000A-308																									
3 11/16	USFCE5000A-311	96050	10 7/8	9 3/8	3 1/2	1 1/16	3 21/32	5 15/16	5 13/16	7 3/4	2 1/16	8 1/8	3/4	43.4												
3 15/16	USFCE5000A-315	427230	276.2	238.1	88.9	27.0	92.9	150.8	147.6	196.9	52.4	206.4		19.75												
4	USFCE5000A-400																									

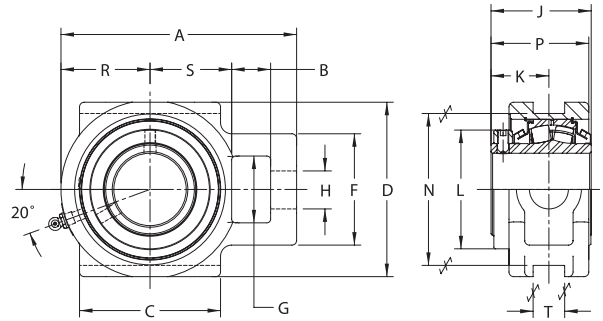
*For expansion bearings, the sum of dimension "H" and "N" can increase by the corresponding value in table VIII on page I-69. One expansion unit is to be used in conjunction with one non-expansion unit for applications using an adapter lock unit. Failure to utilize one expansion and one non-expansion unit is likely to result in reduced bearing performance.

SEALMASTER® Performance Mounted Spherical Roller Bearings

Mtd. Spherical Bearings



- Rolling Elements:** Spherical Roller
- Housing:** Cast Iron Take-Up
- Self Alignment:** +/- 2 Degrees
- Lock:** Setscrew
- Seal:** Felt
- Optional Seal:** Double Lip Contact
- Temperature:** -20° to 220° F



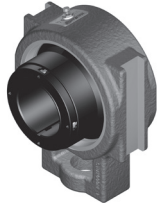
USTU5000 Series Take-Up Units - Collar Mount

Bore Diameter inch	Part No.	Basic Dynamic Rating lb/N	Dimensions inch / mm														Unit Wt. lb/kg	
			A	B	C	D	F	G	H	J	K	L	N	P	R	S		T
1 15/16	USTU5000-115	23520	6 3/16	1 1/16	3 1/2	4 3/4	2 7/8	1 15/16	1 1/16	2 7/8	1 3/4	3	4	2 61/64	2 1/4	2 1/8	11/16	8.3
2	USTU5000-200	104617	157.2	27.0	88.9	120.7	73.0	49.2	27.0	73.0	44.5	76.2	101.6	75.0	57.2	54.0	17.5	3.76
2 3/16	USTU5000-203	28087 124931	6 13/16	1 3/16	3 3/4	5 1/4	3 1/2	2 1/4	1 3/16	3 1/8	1 15/16	3 1/4	4 1/2	3 15/64	2 1/2	2 3/8	13/16	10.7 4.86
2 7/16	USTU5000-207	44691	7 15/16	1 5/16	4 3/4	5 7/8	3 3/4	2 1/4	1 5/16	3 3/8	1 15/16	4	5 1/8	3 19/64	3	2 3/4	1 1/16	16.8
2 1/2	USTU5000-208	198786	201.6	33.3	120.7	149.2	95.3	57.2	33.3	85.7	49.2	101.6	130.2	83.7	76.2	69.9	27.0	7.63
2 11/16	USTU5000-211																	
2 3/4	USTU5000-212	47447	8 3/4	1 9/16	4 3/4	6 3/4	4 1/4	2 3/4	1 9/16	3 7/8	2 3/8	4 17/32	5 15/16	3 55/64	3 3/16	3	1 13/16	24.6
2 15/16	USTU5000-215	211044	222.3	39.7	120.7	171.5	108.0	69.9	39.7	98.4	60.3	115.1	150.8	98.0	81.0	76.2	46.0	11.16
3	USTU5000-300																	
3 3/16	USTU5000-303	72640	10 7/16	1 13/16	6 1/4	7 5/8	4 7/8	2 7/8	1 13/16	4 15/32	2 21/32	5 5/16	6 13/16	4 29/64	4	3 5/8	1 13/16	40.9
3 7/16	USTU5000-307	323103	265.1	46.0	158.8	193.7	123.8	73.0	46.0	113.5	67.5	134.9	173.0	113.1	101.6	92.1	46.0	18.60
3 1/2	USTU5000-308																	
3 11/16	USTU5000-311	96050	11 13/16	2 1/8	7	9 7/16	5 5/8	3 3/8	2 3/16	4 15/16	2 15/16	6	8 5/8	5 3/16	4 7/16	4 1/8	2 1/16	66.6
3 15/16	USTU5000-315	427230	300.0	54.0	177.8	239.7	142.9	85.7	55.6	125.4	74.6	152.4	219.1	131.8	112.7	104.8	52.4	30.26
4	USTU5000-400																	

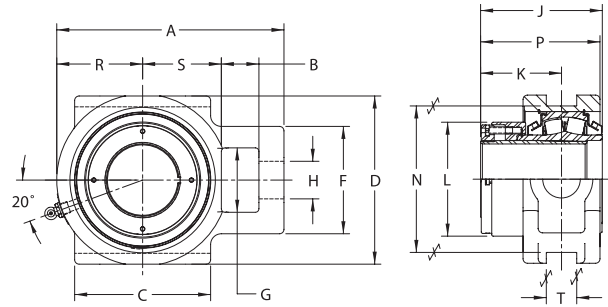
Note: These take-up units can be used with T-1000 take-up frames shown on pages I-45 and I-46.

Metric dimensions for reference only.
 Not all parts are available from stock. Please contact customer service for availability (800) 626-2120.
 For more information on bearing capabilities outside of our standard offering, please contact Application Engineering (800) 626-2093.

Performance Mounted Spherical Roller Bearings **SEALMASTER**®



- Rolling Elements:** Spherical Roller
- Housing:** Cast Iron Take-Up
- Self Alignment:** +/- 2 Degrees
- Lock:** Adapter
- Seal:** Felt
- Optional Seal:** Double Lip Contact
- Temperature:** -20° to 220° F



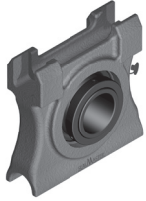
USTU5000A Series Take-Up Units - Adapter Mount

Bore Diameter inch	Part No.	Basic Dynamic Rating lb/N	Dimensions inch / mm															Unit Wt. lb/kg
			A	B	C	D	F	G	H	J	K	L	N	P	R	S	T	
1 15/16	USTU5000A-115	23520	6 3/16	1 1/16	3 1/2	4 3/4	2 7/8	1 15/16	1 1/16	3 1/2	2 11/32	3 3/16	4	3 9/16	2 1/4	2 1/8	11/16	8.8
2	USTU5000A-200	104617	157.2	27.0	88.9	120.7	73.0	49.2	27.0	88.9	59.5	81.0	101.6	90.5	57.2	54.0	17.5	3.99
2 3/16	USTU5000A-203	28087	6 13/16	1 3/16	3 3/4	5 1/4	3 1/2	2 1/4	1 3/16	3 7/8	2 45/64	3 7/16	4 1/2	3 63/64	2 1/2	2 3/8	13/16	11.3
		124931	173.0	30.2	95.3	133.4	88.9	57.2	30.2	98.4	68.7	87.3	114.3	101.2	63.5	60.3	20.6	5.14
2 7/16	USTU5000A-207	44691	7 15/16	1 5/16	4 3/4	5 7/8	3 3/4	2 1/4	1 5/16	4 5/16	2 7/8	3 63/64	5 1/8	4 15/64	3	2 3/4	1 1/16	17.7
2 1/2	USTU5000A-208	198786	201.6	33.3	120.7	149.2	95.3	57.2	33.3	109.5	73.0	101.2	130.2	107.6	76.2	69.9	27.0	8.04
2 11/16	USTU5000A-211																	
2 3/4	USTU5000A-212	47447	8 3/4	1 9/16	4 3/4	6 3/4	4 1/4	2 3/4	1 9/16	4 31/64	2 31/32	4 25/64	5 15/16	4 15/32	3 3/16	3	1 13/16	24.6
2 15/16	USTU5000A-215	211044	222.3	39.7	120.7	171.5	108.0	69.9	39.7	113.9	75.4	111.5	150.8	113.5	81.0	76.2	46.0	11.20
3	USTU5000A-300																	
3 3/16	USTU5000A-303	72640	10 7/16	1 13/16	6 1/4	7 5/8	4 7/8	2 7/8	1 13/16	5 35/64	3 47/64	5 15/32	6 13/16	5 35/64	4	3 5/8	1 13/16	42.9
3 7/16	USTU5000A-307	323103	265.1	46.0	158.8	193.7	123.8	73.0	46.0	140.9	94.9	138.9	173.0	140.9	101.6	92.1	46.0	19.50
3 1/2	USTU5000A-308																	
3 11/16	USTU5000A-311	96050	11 13/16	2 1/8	7	9 7/16	5 5/8	3 3/8	2 3/16	5 15/16	3 15/16	5 13/16	8 5/8	6 3/16	4 7/16	4 1/8	2 1/16	67.3
3 15/16	USTU5000A-315	427230	300.0	54.0	177.8	239.7	142.9	85.7	55.6	150.8	100.0	147.6	219.1	157.2	112.7	104.8	52.4	30.61
4	USTU5000A-400																	

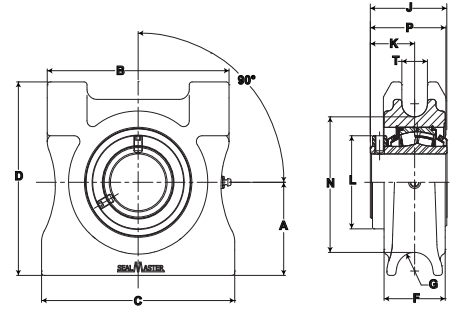
Note: These take-up units can be used with T-1000 take-up frames shown on pages I-45 and I-46.
 One expansion unit is to be used in conjunction with one non-expansion unit for applications using an adapter lock unit.
 Failure to utilize one expansion and one non-expansion unit is likely to result in reduced bearing performance.

SEALMASTER® Performance Mounted Spherical Roller Bearings

Mtd. Spherical Bearings



- Rolling Elements:** Spherical Roller
- Housing:** Cast Iron Top Angle Take-Up
- Self Alignment:** +/- 2 Degrees
- Lock:** Setscrew
- Seal:** Felt
- Optional Seal:** Double Lip Contact
- Temperature:** -20° to 220° F

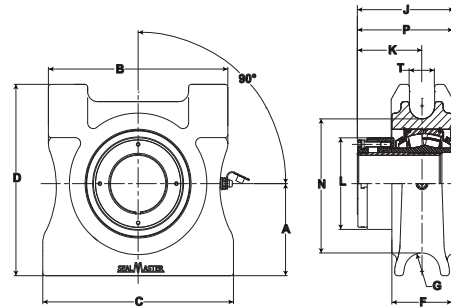


USTA5000 Series Top Angle Take-Up Units - Collar Mount

Bore Diameter inch	Part No.	Basic Dynamic Rating lb/N	Dimensions inch / mm												Unit Wt. lb/kg
			A	B	C	D	F	G	J	K	L	N	P	T	
1 15/16	USTA5000-115	23520 104617	3 1/4 82.6	6 152.4	6 1/2 165.1	6 3/8 162.1	2 7/16 62.0	51/64 20.3	2 7/8 73.0	1 11/16 42.9	3 76.2	3 33/64 89.3	2 7/8 73.2	7/8 22.4	12.1 5.49
2 3/16	USTA5000-203	28087 124931	3 1/2 88.9	7 177.8	7 1/2 190.5	7 7/16 189.0	2 7/16 62.0	51/64 20.3	3 1/8 79.7	1 7/8 47.5	3 1/4 82.6	4 57/64 124.2	3 1/4 82.3	1 1/8 28.4	18.0 8.16
2 7/16	USTA5000-207	44691 198786	4 101.6	8 203.2	8 1/2 215.9	8 5/16 211.1	2 11/16 68.3	51/64 20.3	3 3/8 85.7	1 61/64 49.6	4 101.6	5 53/64 148.0	3 21/64 84.5	1 1/8 28.4	27.9 12.66
2 15/16	USTA5000-215	47447 211044	4 101.6	8 203.2	8 1/2 215.9	8 5/16 211.1	2 13/16 71.4	51/64 20.3	3 7/8 98.3	2 11/32 59.5	4 17/32 115.1	5 53/64 148.0	3 47/64 94.9	1 1/8 28.4	27.4 12.43
3 7/16	USTA5000-307	72640 323103	4 1/2 114.3	9 228.6	9 1/2 241.3	9 5/8 244.6	3 3/16 81.0	51/64 20.3	4 15/32 113.5	2 21/32 67.5	5 5/16 134.5	6 53/64 173.4	4 1/4 108.0	1 3/8 35.1	39.3 17.83
3 15/16	USTA5000-315	96050 427230	5 1/2 139.7	10 1/2 266.7	11 279.4	11 279.4	3 9/16 90.4	51/64 20.3	4 15/16 125.4	2 15/16 74.4	6 152.4	7 19/32 192.9	4 1/2 114.0	1 23/64 34.5	54.5 24.72
Type E Mounting Dimensions															
2 3/16	USTAE5000-203	28087 124931	3 1/16 77.7	6 3/4 171.5	7 177.8	6 7/8 174.8	2 1/2 63.5	51/64 20.3	3 1/8 79.7	1 55/64 47.2	3 1/4 82.6	4 37/64 116.3	3 3/64 77.4	7/8 22.4	11.3 5.13
2 7/16	USTAE5000-207	44691 198786	3 1/2 88.9	7 177.8	7 1/2 190.5	7 7/16 189.0	2 3/4 69.9	49/64 19.3	3 3/8 85.7	1 61/64 49.6	4 101.6	4 15/16 125.2	3 21/64 84.5	1 1/8 28.4	19.6 8.89



- Rolling Elements:** Spherical Roller
- Housing:** Cast Iron Top Angle Take-Up
- Self Alignment:** +/- 2 Degrees
- Lock:** Adapter
- Seal:** Felt
- Optional Seal:** Double Lip Contact
- Temperature:** -20° to 220° F

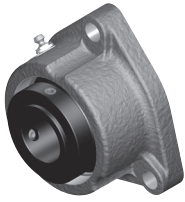


USTA5000A Series Top Angle Take-Up Units - Adapter Mount

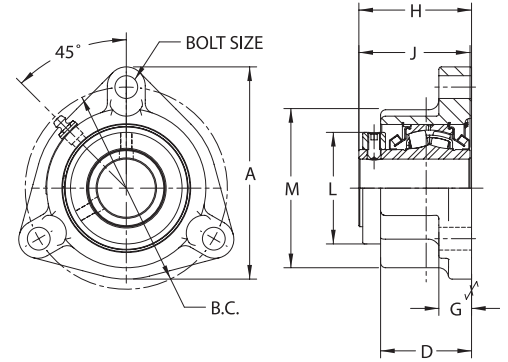
Bore Diameter inch	Part No.	Basic Dynamic Rating lb/N	Dimensions inch / mm												Unit Wt. lb/kg
			A	B	C	D	F	G	J	K	L	N	P	T	
1 15/16	USTA5000A-115	23520 104617	3 1/4 82.6	6 152.4	6 1/2 165.1	6 3/8 162.1	2 7/16 62.0	51/64 20.3	3 1/2 88.9	2 5/16 58.7	3 3/16 80.6	3 33/64 89.3	3 1/2 88.9	7/8 22.4	12.6 5.72
2 3/16	USTA5000A-203	28087 124931	3 1/2 88.9	7 177.8	7 1/2 190.5	7 7/16 189.0	2 7/16 62.0	51/64 20.3	3 7/8 98.4	2 5/8 66.5	3 7/16 87.4	4 57/64 124.2	4 101.6	1 1/8 28.4	18.7 8.48
2 7/16	USTA5000A-207	44691 198786	4 101.6	8 203.2	8 1/2 215.9	8 5/16 211.1	2 11/16 68.3	51/64 20.3	4 5/16 109.5	2 7/8 73.2	3 63/64 101.2	5 53/64 148.0	4 17/64 108.3	1 1/8 28.4	28.9 13.11
2 15/16	USTA5000A-215	47447 211044	4 101.6	8 203.2	8 1/2 215.9	8 5/16 211.1	2 13/16 71.4	51/64 20.3	4 31/64 113.9	2 31/32 75.4	4 25/64 111.5	5 53/64 148.0	4 11/32 110.3	1 1/8 28.4	27.6 12.52
3 7/16	USTA5000A-307	72640 323103	4 1/2 114.3	9 228.6	9 1/2 241.3	9 5/8 244.6	3 3/16 81.0	51/64 20.3	5 35/64 140.9	3 47/64 94.9	5 15/32 138.9	6 53/64 173.4	5 21/64 135.3	1 3/8 35.1	41.3 18.73
3 15/16	USTA5000A-315	96050 427230	5 1/2 139.7	10 1/2 266.7	11 279.4	11 279.4	3 9/16 90.4	51/64 20.3	5 15/16 150.8	3 15/16 99.8	5 37/64 141.7	7 19/32 192.9	5 1/2 139.7	1 23/64 34.5	55.4 25.13
Type E Mounting Dimensions															
2 3/16	USTAE5000A-203	28087 124931	3 3/8 85.7	6 3/4 171.5	7 177.8	6 7/8 174.8	2 1/2 63.5	51/64 20.3	3 7/8 98.4	2 5/8 66.5	3 7/16 87.4	4 37/64 116.3	3 13/16 96.8	7/8 22.4	15.7 7.12
2 7/16	USTAE5000A-207	44691 198786	3 1/2 88.9	7 177.8	7 1/2 190.5	7 7/16 189.0	2 3/4 69.9	49/64 19.3	4 5/16 109.5	2 7/8 73.2	3 63/64 101.2	4 15/16 125.2	4 17/64 108.3	1 1/8 28.4	20.6 9.34

Note: One expansion unit is to be used in conjunction with one non-expansion unit for applications using an adapter lock unit. Failure to utilize one expansion and one non-expansion unit is likely to result in reduced bearing performance. Metric dimensions for reference only. Not all parts are available from stock. Please contact customer service for availability (800) 626-2120. For more information on bearing capabilities outside of our standard offering, please contact Application Engineering (800) 626-2093.

Performance Mounted Spherical Roller Bearings **SEALMASTER**®



- Rolling Elements:** Spherical Roller
- Housing:** Cast Iron Three Bolt Flange
- Self Alignment:** +/- 2 Degrees
- Lock:** Setscrew
- Seal:** Felt
- Optional Seal:** Double Lip Contact
- Temperature:** -20° to 220° F



Mtd. Spherical Bearings



USF3B5000 Series Three-Bolt Flange Units - Collar Mount

Bore Diameter inch	Part No.	Basic Dynamic Rating lb/N	Dimensions inch / mm									Unit Wt. lb/kg
			A	B.C.	D	G	H *	J	L	M	Bolt Size	
1 1/8	USF3B5000-102	20368	5 1/4	4 1/2	2 1/4	25/32	2 53/64	2 3/4	2 49/64	3 15/16	3/8	6.9
1 3/16	USF3B5000-103	90597	133.4	114.3	57.2	19.8	71.8	69.9	70.2	100.0		3.13
1 1/4	USF3B5000-104											
1 7/16	USF3B5000-107	20368	5 1/4	5	2 1/4	13/16	2 53/64	2 3/4	2 49/64	3 15/16	1/2	6.4
1 1/2	USF3B5000-108	90597	133.4	127.0	57.2	20.6	71.8	69.9	70.2	100.0		2.91

*For expansion bearings, this dimension can increase by the corresponding value in table VIII on page I-69.

Metric dimensions for reference only.

Not all parts are available from stock. Please contact customer service for availability (800) 626-2120.

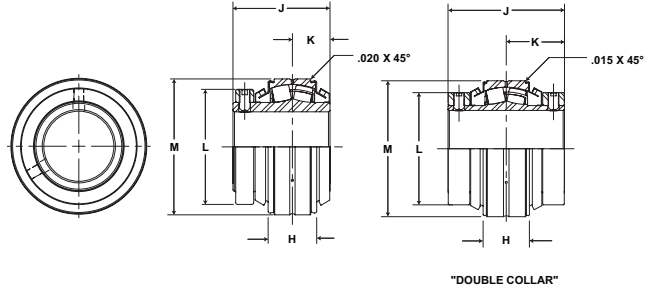
For more information on bearing capabilities outside of our standard offering, please contact Application Engineering (800) 626-2093.

SEALMASTER® Performance Mounted Spherical Roller Bearings

Mtd. Spherical Bearings



- Rolling Elements:** Spherical Roller
- Housing:** Insert Bearing
- Self Alignment:** +/- 2 Degrees
- Lock:** Setscrew
- Seal:** Felt
- Optional Seal:** Double Lip Contact
- Temperature:** -20° to 220° F



USI5000 Unitized Spherical Roller Bearing Inserts - Collar Mount

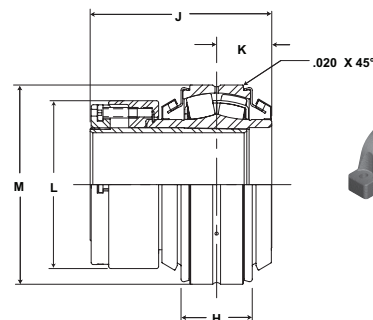
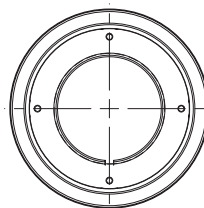
Bore Diameter	Part No.	Basic Dynamic Rating lb/N	Dimensions inch / mm					Unit Wt. lb/kg
			H	J	K	L	M (Nominal)	
1 1/8	USI5000-102	20368 90597	1 15/64 31.4	2 3/4 69.9	1 25.4	2 49/64 70.2	3.1493 80.0	3.3 1.50
1 3/16	USI5000-103							
1 1/4	USI5000-104							
1 7/16	USI5000-107							
1 1/2	USI5000-108							
1 11/16	USI5000-111	22689 100921	1 7/32 31.0	2 7/8 73.0	1 3/64 26.6	2 3/4 69.9	3.3462 85.0	3.0 1.36
1 3/4	USI5000-112							
1 15/16	USI5000-115	23520 104617	1 17/64 32.1	2 7/8 73.0	1 1/16 27.0	3 76.2	3.5430 90.0	3.2 1.45
2	USI5000-200							
2 3/16	USI5000-203	28087 124931	1 23/64 34.5	3 1/8 79.4	1 9/64 29.0	3 1/4 82.6	3.9367 100.0	3.9 1.77
2 7/16	USI5000-207							
2 1/2	USI5000-208	44691 198786	1 11/16 42.9	3 3/8 85.7	1 5/16 33.3	4 101.6	4.7241 120.0	7.3 3.32
2 11/16	USI5000-211							
2 3/4	USI5000-212	47447 211044	1 23/32 43.7	3 7/8 98.4	1 25/64 35.3	4 17/32 115.1	5.1178 130.0	9.9 4.50
2 15/16	USI5000-215							
3	USI5000-300							
3 3/16	USI5000-303	72640 323103	2 1/8 54.0	4 15/32 113.5	1 45/64 43.3	5 5/16 134.9	6.2987 160.0	17.8 8.09
3 7/16	USI5000-307							
3 1/2	USI5000-308							
3 11/16	USI5000-311	96050 427230	2 13/32 61.1	4 15/16 125.4	1 55/64 47.2	6 152.4	7.0861 180.0	15.8 7.18
3 15/16	USI5000-315							
4	USI5000-400							
4 7/16	USI5000-407	111537 496117	2 11/16 68.3	6 3/4 171.5	3 3/8 85.7	6 1/2 165.1	7.8734 200.0	35.2 16.00
4 1/2	USI5000-408							
4 15/16	USI5000-415	158816 706414	3 21/64 84.5	7 27/64 188.5	3 23/32 94.5	7 1/2 190.5	9.0545 230.0	55.4 25.18
5 7/16	USI5000-507							
5 7/16	USI5000-507	196682 874842	3 21/32 92.9	9 1/32 229.4	4 33/64 114.7	8 1/2 215.9	9.8419 250.0	72.7 33.05
5 15/16	USI5000-515							
5 15/16	USI5000-515	196682 874842	4 25/64 111.5	9 25/32 248.4	4 57/64 124.2	10 254.0	11.4166 290.0	117.2 53.27
6 7/16	USI5000-608							
6 1/2	USI5000-608	334229 1486651	4 55/64 123.4	10 1/2 266.7	5 1/4 133.4	11 279.4	12.5976 320.0	162.5 73.87
6 15/16	USI5000-700							
7	USI5000-700							

Note: 1 1/8" - 4" bore sizes have a single lock collar.
4 7/16" - 7" bore sizes have a double lock collar.

Performance Mounted Spherical Roller Bearings **SEALMASTER**®



- Rolling Elements:** Spherical Roller
- Housing:** Insert Bearing
- Self Alignment:** +/- 2 Degrees
- Lock:** Adapter
- Seal:** Felt
- Optional Seal:** Double Lip Contact
- Temperature:** -20° to 220° F



USI5000A Unitized Spherical Roller Bearing Inserts - Adapter Mount

Bore Diameter inch	Part No.	Basic Dynamic Rating lb/N	Dimensions inch / mm					Unit Wt. lb/kg
			H	J	K	L	M (Nominal)	
1 1/8	USI5000A-102	20368 90597	1 15/64 31.4	3 11/32 84.9	1 25.4	2 31/32 75.4	3.1493 80.0	3.3 1.50
1 3/16	USI5000A-103							
1 1/4	USI5000A-104							
1 7/16	USI5000A-107							
1 1/2	USI5000A-108							
1 11/16	USI5000A-111	22689	1 7/32	3 29/64	1 3/64	2 63/64	3.3462	3.5
1 3/4	USI5000A-112	100921	29.9	84.6	25.6	73.1	82.0	1.59
1 15/16	USI5000A-115	23520	1 17/64	3 1/2	1 1/16	3 11/64	3.5430	3.7
2	USI5000A-200	104617	32.1	88.9	27.0	80.6	90.0	1.68
2 3/16	USI5000A-203	28087 124931	1 23/64 33.3	3 7/8 94.9	1 9/64 27.9	3 7/16 84.2	3.9367 96.4	4.6 2.09
2 7/16	USI5000A-207	44691	1 11/16	4 5/16	1 5/16	3 63/64	4.7281	8.3
2 1/2	USI5000A-208	198786	42.9	109.5	33.3	101.2	120.0	3.77
2 11/16	USI5000A-211	47447 211044	1 23/32 42.1	4 31/64 109.9	1 25/64 34.1	4 25/64 107.6	5.1178 125.4	10.0 4.55
2 3/4	USI5000A-212							
2 15/16	USI5000A-215							
3	USI5000A-300							
3 3/16	USI5000A-303	72640	2 1/8	5 35/64	1 45/64	5 15/32	6.2987	19.8
3 7/16	USI5000A-307	323103	54.0	140.9	43.3	138.9	160.0	9.00
3 1/2	USI5000A-308							
3 11/16	USI5000A-311	96050	2 13/32	5 15/16	1 55/64	5 13/16	7.0861	24.4
3 15/16	USI5000A-315	427230	59.0	150.8	45.6	142.4	173.6	11.09
4	USI5000A-400							
4 7/16	USI5000A-407	111537	2 11/16	6 27/64	2 5/64	6 11/32	7.8734	28.7
4 1/2	USI5000A-408	496117	68.3	163.1	52.8	161.1	200.0	13.05
4 15/16	USI5000A-415	158816	3 21/64	7 1/8	2 27/64	7 13/64	9.0545	46.7
5	USI5000A-500	706414	81.5	174.6	59.3	176.5	221.8	21.23
5 7/16	USI5000A-507	196682 874842	3 21/32 92.9	7 7/8 200.0	2 39/64 66.3	7 47/64 196.5	9.8419 250.0	57.7 26.23
5 15/16	USI5000A-515	261346 1162467	4 25/64 111.5	8 11/16 220.7	3 1/64 76.6	8 1/2 215.9	11.1724 290.0	91.3 41.50
6 7/16	USI5000A-607	334229 1486651	4 55/64 119.1	9 45/64 237.7	3 5/16 81.2	9 11/16 237.3	12.5976 308.6	118.7 53.95
6 1/2	USI5000A-608							
6 15/16	USI5000A-615							
7	USI5000A-700							
7 1/2	USI5000A-708	363818	5 15/64	10 9/16	3 19/32	11 7/64	14.1732	178.9
7 15/16	USI5000A-715	1618262	133.0	268.3	91.3	282.2	360.0	81.32
8	USI5000A-800							

Metric dimensions for reference only.

Not all parts are available from stock. Please contact customer service for availability (800) 626-2120.

For more information on bearing capabilities outside of our standard offering, please contact Application Engineering (800) 626-2093.